

# Technical data sheet

Locknut, metric thread, black

Item number: 2049066



Locknut DIN 46319, with metric thread IEC 423.



PA Polyamide

## Master data

Item number	2049066
Type	116 M12 SW PA
Description 1	Locknut
Manufacturer	OBO
Dimension	M12
Colour	Black
Material	Polyamide
Smallest sales unit	100
Unit of quantity	Piece
Weight	0.079 kg
Weight unit	kg/100 pc.
CO2 Footprint (GWP) Cradle-to-Gate	0,0054 kg CO2e / 1 Piece

# Technical data sheet

Locknut, metric thread, black

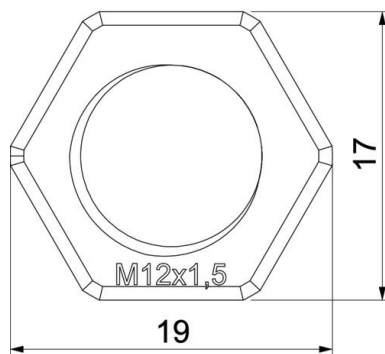
Item number: 2049066



## Dimensions



Dimension E	19 mm
Dimension L	5 mm



## Technical data

Thread	M12 x 1,5
Thread type	Metric
Nominal thread size metric/PG	12
Fibre-glass reinforced	no
Halogen-free	yes
Impact-resistant	no
WAF	17