

Technical data sheet

Universal plug-in terminal, 2-pole

Item number: 2054450



Tested according to EN 60998.

Screwless terminal to connect electrical conductors. The type of conductor can either be flexible, multi-wire or rigid.

If rigid conductors are used, an opening of the release lever is not necessary. The conductor can be plugged into the terminal directly.

To extract the conductors, simply open the release lever. The strand can then be easily pulled-out.

Nominal cross-section:

2 x 0.2 - 2.5 mm² multi-wire cables / single-wire conductors

Rated voltage 450 V.

Rated current 24 A.

Stripping length: 9 mm (+1 mm).

Inspection opening: Phase tester and testing pin (max. Ø 2 mm), very easily accessible on the top side of the terminal

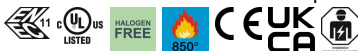
Max. approved ambient temperature according to EN 60998: -5 to +85 °C.

Technical data UL (USA)

Rated voltage 300 V

Clamping range AWG 24-12

Ambient temp. max. 105 °C



PC Polycarbonate

Master data

Item number	2054450
Type	61 225 FL
Description 1	Universal terminal
Description 2	2 rigid-flexible cables
Manufacturer	OBO
Dimension	0,2-2,5mm ²
Colour	Transparent
Material	Polycarbonate
Smallest sales unit	100
Unit of quantity	Piece
Weight	0.2 kg
Weight unit	kg/100 pc.

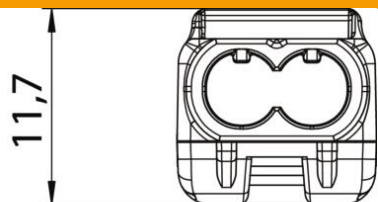
Technical data sheet

Universal plug-in terminal, 2-pole

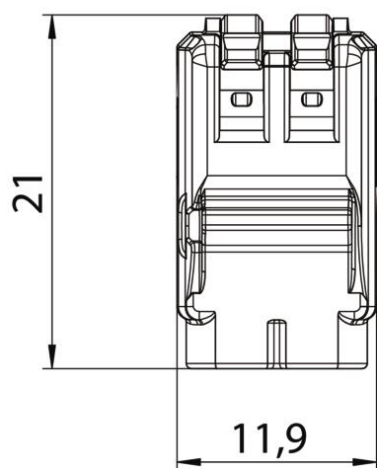
Item number: 2054450



Dimensions



Length	11.9 mm
Width	21 mm
Height	11.7 mm



Technical data sheet

Universal plug-in terminal, 2-pole

Item number: 2054450



Technical data

Connectable conductor cross-section, single-wire, max.	2.5 mm ²
Connectable conductor cross-section, single-wire, min.	0.2 mm ²
Connectable conductor cross-section, multi-wire, max.	2.5 mm ²
Connectable conductor cross-section, multi-wire, min.	0.2 mm ²
No. of terminals	2
Flame-resistant	Acc. to VDE 0471/DIN 695 Part 2-1, test temperature 850°C
Suitable for flexible conductors	yes
Suitable for solid conductors	yes
Suitable for multi-wire conductors	yes
Insulation material	Thermoplast
With actuating levers	yes
Nominal cross-section, max.	2.5 mm ²
Nominal cross-section, min.	0.2 mm ²
Nominal voltage	450 V
Nominal current	24 A
Pole number	1
Cross-section	2 x 0.2 - 2.5 mm ² multi-wire cables / single-wire conductors mm ²
Permitted temperature range, max.	85 °C
Permitted temperature range, min.	-5 °C