

Technical data sheet

Screwless terminal, 5-pole

Item number: 2054507



Screwless terminal to connect single-strand cables.

Nominal cross-section:

5 x 0.5 mm² to 2.5 mm² single-wire cable

5 x 1.5 mm² to 2.5 mm² rigid, multi-wire cable

Rated voltage 450 V.

Rated current 24 A.

Stripping length: 8–9 mm.

Inspection opening: phase tester and testing pin (max. Ø 2 mm).

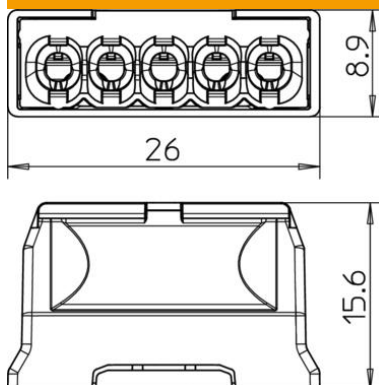


PA Polyamide

Master data

Item number	2054507
Type	61 525 LGR
Description 1	Plug-in terminal
Description 2	screwless terminal
Manufacturer	OBO
Dimension	5x2,5mm ²
Colour	Light grey; RAL 7035
Material	Polyamide
Smallest sales unit	100
Unit of quantity	Piece
Weight	0.3 kg
Weight unit	kg/100 pc.

Dimensions



Length	26 mm
Width	15.6 mm
Height	8.9 mm

Technical data sheet

Screwless terminal, 5-pole

Item number: 2054507



Technical data

Connectable conductor cross-section, single-wire, max.	2.5 mm ²
Connectable conductor cross-section, single-wire, min.	0.5 mm ²
Connectable conductor cross-section, multi-wire, max.	2.5 mm ²
Connectable conductor cross-section, multi-wire, min.	1.5 mm ²
No. of terminals	5
Flame-resistant	Acc. to VDE 0471/DIN 695 Part 2-1, test temperature 850°C
Suitable for flexible conductors	no
Suitable for solid conductors	no
Suitable for multi-wire conductors	yes
With actuating levers	no
Nominal cross-section, max.	2.5 mm ²
Nominal cross-section, min.	0.5 mm ²
Nominal voltage	450 V
Nominal current	24 A
Pole number	5
Cross-section	5 x 0.5 mm ² to 2.5 mm ² single-wire cable 5 x 1.5 mm ² to 2.5 mm ² rigid, multi-wire cable mm ²
Permitted temperature range, max.	90 °C
Permitted temperature range, min.	-5 °C