

# Technical data sheet

Pressure ISO clip 3050, single, light grey

Item number: 2101017



With adhesive base, slot and for screwing to M6 thread.  
Use the Impu-Fix ribbon conductor quick adhesive, type 509, to stick the polystyrene clips to masonry and concrete.



PS Polystyrene

## Master data

Item number	2101017
Type	3050 LGR
Description 1	Pressure ISO clip
Manufacturer	OBO
Dimension	6-16mm
Colour	Light grey; RAL 7035
Material	Polystyrene
Smallest sales unit	100
Unit of quantity	Piece
Weight	0.4 kg
Weight unit	kg/100 pc.
CO2 Footprint (GWP) Cradle-to-Gate	0,0171 kg CO2e / 1 Piece

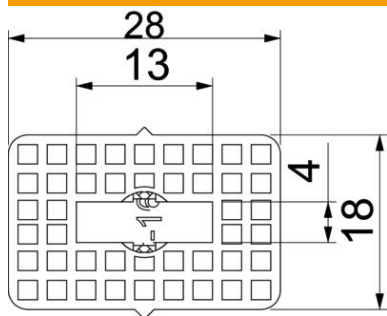
# Technical data sheet

Pressure ISO clip 3050, single, light grey

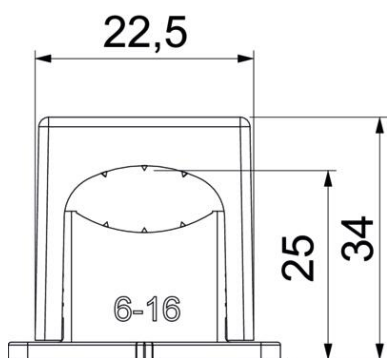
Item number: 2101017



## Dimensions



Dimension a	28 mm
Dimension a1 (mm)	13 mm
Dimension b	18 mm
Dimension b1	4 mm
Dimension c	22.5 mm
Dimension d	25 mm
Dimension e	34 mm



## Technical data

Expandable	no
Number of cables/pipes	1
Fastening type	Screw hole
Halogen-free	yes
Snap system	yes
Impact-resistant	yes
Clamping range D, max.	16 mm
Clamping range D, min.	6 mm