

Technical data sheet

Pressure ISO clip 3051, single, light grey

Item number: 2101033



With adhesive base, slot and for screwing to M6 thread.
Use the Impu-Fix ribbon conductor quick adhesive, type 509, to stick the polystyrene clips to masonry and concrete.



PS Polystyrene

Master data

Item number	2101033
Type	3051 LGR
Description 1	Pressure ISO clip
Manufacturer	OBO
Dimension	14-24mm
Colour	Light grey; RAL 7035
Material	Polystyrene
Smallest sales unit	50
Unit of quantity	Piece
Weight	0.72 kg
Weight unit	kg/100 pc.
CO2 Footprint (GWP) Cradle-to-Gate	0,0278 kg CO2e / 1 Piece

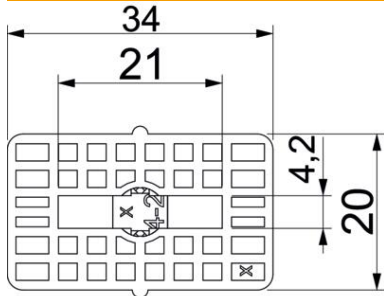
Technical data sheet

Pressure ISO clip 3051, single, light grey

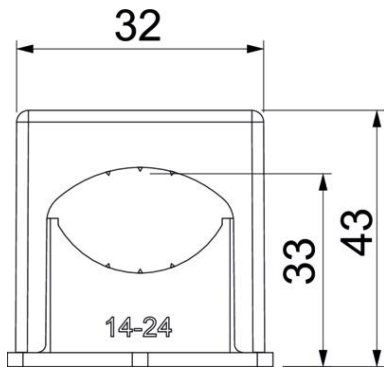
Item number: 2101033



Dimensions



Dimension a	34 mm
Dimension a1 (mm)	21 mm
Dimension b	20 mm
Dimension b1	4.2 mm
Dimension c	32 mm
Dimension d	33 mm
Dimension e	43 mm



Technical data

Expandable	no
Number of cables/pipes	1
Fastening type	Screw hole
Halogen-free	yes
Snap system	yes
Impact-resistant	yes
Clamping range D, max.	24 mm
Clamping range D, min.	14 mm