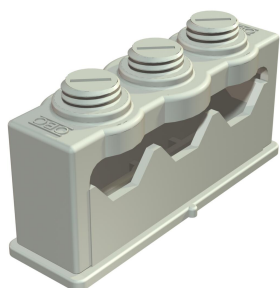


Technical data sheet

Grip ISO clip, triple

Item number: 2109018



Solid cable fastening through clamping screws, with adhesive base, slot and for screwing to M6 thread.

Use the Impu-Fix ribbon conductor quick adhesive, type 509, to stick the polystyrene clips to masonry and concrete.



PS Polystyrene

Master data

Item number	2109018
Type	3040 3
Description 1	Grip ISO clip
Description 2	for 3 cables
Manufacturer	OBO
Dimension	6-16mm
Colour	Light grey; RAL 7035
Material	Polystyrene
Smallest sales unit	25
Unit of quantity	Piece
Weight	1.508 kg
Weight unit	kg/100 pc.
CO2 Footprint (GWP) Cradle-to-Gate	0,0629 kg CO2e / 1 Piece

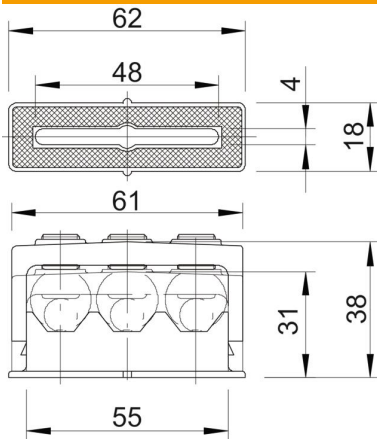
Technical data sheet

Grip ISO clip, triple

Item number: 2109018



Dimensions



Dimension a	62 mm
Dimension a1 (mm)	48 mm
Dimension b	18 mm
Dimension b1	4 mm
Dimension c	61 mm
Dimension d	31 mm
Dimension e	38 mm
Dimension f	55 mm

Technical data

Expandable	no
Number of cables/pipes	3
Fastening type	Screw hole
Halogen-free	yes
Snap system	yes
Impact-resistant	yes
Clamping range D, max.	16 mm
Clamping range D, min.	6 mm