

Technical data sheet

Base clamp clip, single

Item number: 2140063



Can be screwed onto M6 thread.



PP Polypropylene

Master data

Item number	2140063
Type	2962 6 LGR
Description 1	Base clamp
Manufacturer	OBO
Dimension	6mm
Colour	Light grey; RAL 7035
Material	Polypropylene
Smallest sales unit	100
Unit of quantity	Piece
Weight	0.08 kg
Weight unit	kg/100 pc.
CO2 Footprint (GWP) Cradle-to-Gate	0,0052 kg CO2e / 1 Piece

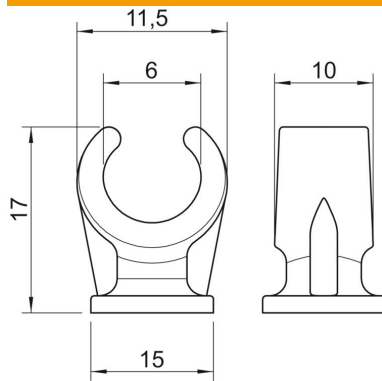
Technical data sheet

Base clamp clip, single

Item number: 2140063



Dimensions



Dimension A	11.5 mm
Dimension B	10 mm
Dimension C	15 mm
Dimension H	17 mm

Technical data

Number of cables/pipes	1
Version for	Single-lobe
Fastening type	Threaded connection
Suitable in fire protection area	no
Size	6
Halogen-free	yes
Plastic-covered	no
Nominal diameter	5.6 mm
Clamping range D, max.	6 mm
Clamping range D, min.	6 mm
UV-resistant	no