

# Technical data sheet

## Click-snap clip

Item number: 2148501



With moulded-on push-fit plug for rapid mounting in concrete walls and masonry. Push plug into hole until the clip makes contact with the surface. When the pipe is pressed into the clip, the arms of the clip grip it.



PA Polyamide

### Master data

Item number	2148501
Type	1976 12-15
Description 1	Klick-Snap clip
Manufacturer	OBO
Dimension	12-15,5mm
Colour	Light grey; RAL 7035
Material	Polyamide
Smallest sales unit	100
Unit of quantity	Piece
Weight	0.245 kg
Weight unit	kg/100 pc.
CO2 Footprint (GWP) Cradle-to-Gate	0,0128 kg CO2e / 1 Piece

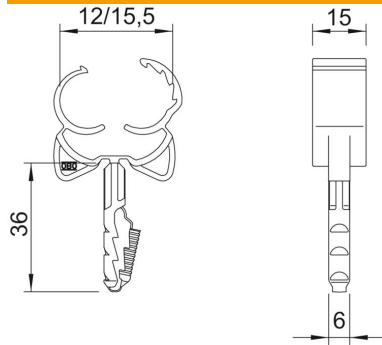
# Technical data sheet

## Click-snap clip

Item number: 2148501



### Dimensions



### Technical data

Number of cables/pipes	1
Version for	Closed
Fastening type	Plug fastening
Drill hole depth	40 mm
Drill hole diameter, min.	6 mm
Breaking load for concrete B25	190 N
Halogen-free	yes
Clamping range D, max.	15.5 mm
Clamping range D, min.	12 mm