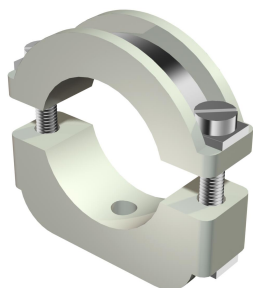


Technical data sheet

Lightning ISO clip, screw-on

Item number: 2158124



Lightning ISO clips: plastic clip with metal insert, therefore also suitable for heavy-duty applications; metal parts made of electrogalvanised steel.
Can be screwed onto M6 thread.
*Sizes 6–12 and 10–17 not suitable for bolt-firing device.



PS Polystyrene

Master data

Item number	2158124
Type	3019 M6 LGR
Description 1	Lightning ISO clip
Description 2	with threaded connection M6
Manufacturer	OBO
Dimension	6-12mm
Colour	Light grey; RAL 7035
Material	Polystyrene
Smallest sales unit	50
Unit of quantity	Piece
Weight	1.564 kg
Weight unit	kg/100 pc.
CO2 Footprint (GWP) Cradle-to-Gate	0,0507 kg CO2e / 1 Piece

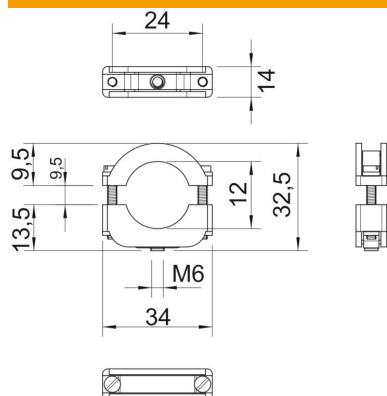
Technical data sheet

Lightning ISO clip, screw-on

Item number: 2158124



Dimensions



Dimension A	34 mm
Dimension B	24 mm
Dimension b	14 mm
Dimension D	12 mm
Dimension H	32.5 mm
Dimension Ho (mm)	9.5
Dimension Hu (mm)	13.5
Dimension l	22 mm
Dimension x	6 mm

Technical data

Number of cables/pipes	1
Version for	Closed
Fastening type	Threaded connection
Suitable in fire protection area	no
Halogen-free	yes
Plastic-covered	no
Bolt	M4 x 22
Clamping range D, max.	12 mm
Clamping range D, min.	6 mm
UV-resistant	no