

Technical data sheet

Single push-fit clip

Item number: 2197804



These push-fit clips are used when installing cables and pipes on walls and ceilings and when running flexible pipes on concrete and in the screed. The single push-fit clips can be used instead of nail clips in concrete and aerated concrete. The advantage of the push-fit clips is that they only have to be pushed into the drilled hole. Anchors and bolts are not needed.



PA Polyamide

Master data

Item number	2197804
Type	1974 16-23
Description 1	Plug-in clip
Description 2	single
Manufacturer	OBO
Dimension	16-23mm
Colour	Light grey; RAL 7035
Material	Polyamide
Smallest sales unit	100
Unit of quantity	Piece
Weight	0.263 kg
Weight unit	kg/100 pc.
CO2 Footprint (GWP) Cradle-to-Gate	0,0134 kg CO2e / 1 Piece

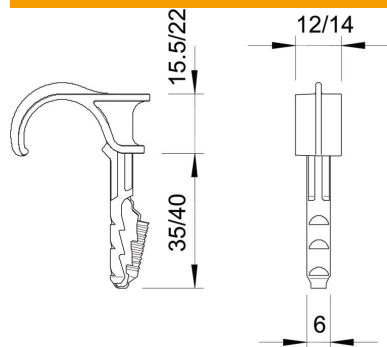
Technical data sheet

Single push-fit clip

Item number: 2197804



Dimensions



Technical data

Number of cables/pipes	1
Version for	Single-lobe
Fastening type	Plug fastening
Drill hole depth	40 mm
Drill hole diameter, min.	6 mm
Breaking load for concrete B25	50 N
Halogen-free	yes
Clamping range D, max.	23 mm
Clamping range D, min.	16 mm