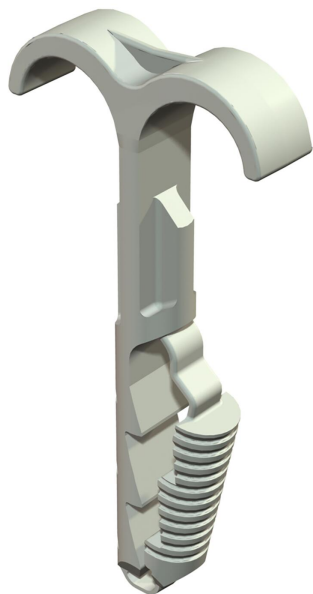


Technical data sheet

Double push-fit clip

Item number: 2197855



These push-fit clips are used when installing cables and pipes on walls and ceilings and when running flexible pipes on concrete and in the screed. The double push-fit clips can be used instead of nail clips in concrete and aerated concrete. The advantage of the push-fit clips is that they only have to be pushed into the drilled hole. Anchors and bolts are not needed.



PA Polyamide

Master data

Item number	2197855
Type	1974 2X4-12
Description 1	Plug-in clip
Description 2	double
Manufacturer	OBO
Dimension	4-12mm
Colour	Light grey; RAL 7035
Material	Polyamide
Smallest sales unit	100
Unit of quantity	Piece
Weight	0.128 kg
Weight unit	kg/100 pc.
CO2 Footprint (GWP) Cradle-to-Gate	0,0073 kg CO2e / 1 Piece

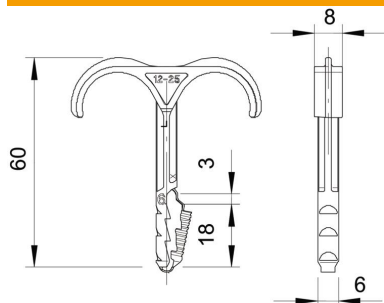
Technical data sheet

Double push-fit clip

Item number: 2197855



Dimensions



Technical data

Number of cables/pipes	2
Version for	Two-lobe
Fastening type	Plug fastening
Drill hole depth	40 mm
Drill hole diameter, min.	6 mm
Breaking load for concrete B25	90 N
Halogen-free	yes
Clamping range D, max.	12 mm
Clamping range D, min.	4 mm