

# Technical data sheet

## Pressure clip for 10 cables

Item number: 2204010



The metal pressure clip is halogen and fire load-free, and maintains a good mechanical stability even in fires. The pressure clip is also approved as a cable-specific variant for the maintenance of electrical functionality to DIN 4102 Part 12. The spacer 2033 D 15 x 3 G (must be ordered separately) increases the clamping height of pressure clips from 10 to 13 mm. The pressure clips are suitable for fireproof mounting above suspended fire protection ceilings in accordance with DIN 4102.



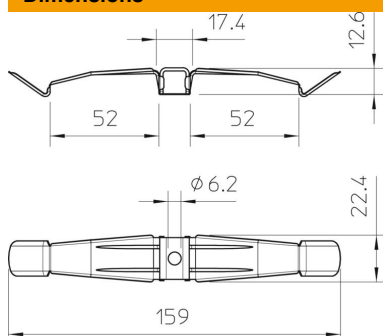
A2 Stainless steel

2B Bright, treated

### Master data

Item number	2204010
Type	2034 M A2
Description 1	Pressure clip
Manufacturer	OBO
Dimension	2x5 NYM3x1,5
Material	Stainless steel 1.4310
Surface	Bright, treated
Surface standard	
Smallest sales unit	50
Unit of quantity	Piece
Weight	1.86 kg
Weight unit	kg/100 pc.
CO2 Footprint (GWP) Cradle-to-Gate	0,1268 kg CO2e / 1 Piece

### Dimensions



# Technical data sheet

## Pressure clip for 10 cables

Item number: 2204010



### Technical data

No. of conductors NYM 3 x 1.5	10
Flame-resistant version	no
Maintain electrical functions	yes
Halogen-free	yes
With anchor	no