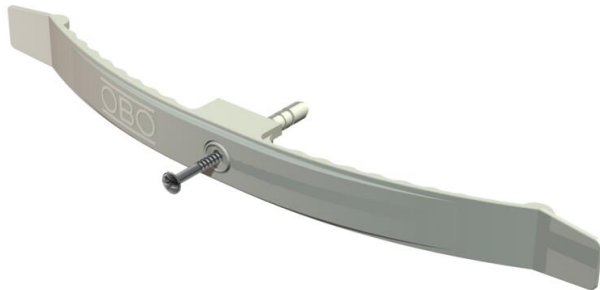


Technical data sheet

Pressure clip with knock-in anchor, for 16 cables



Item number: 2204819



With pre-mounted knock-in anchor, 6 mm Ø.
Required drill hole depth 50 mm.
Clamping height 9 mm – with spacer 13 mm.
Fastening hole 6 mm Ø.
2033/SD for max. 16 cables NYM 3 x 1.5 mm²

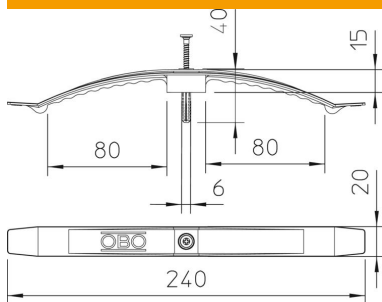


PA Polyamide

Master data

Item number	2204819
Type	2033 SD
Description 1	Pressure clip
Manufacturer	OBO
Dimension	2x8 NYM3x1,5
Colour	Light grey; RAL 7035
Material	Polyamide
Smallest sales unit	25
Unit of quantity	Piece
Weight	2.515 kg
Weight unit	kg/100 pc.
CO2 Footprint (GWP) Cradle-to-Gate	0,1143 kg CO2e / 1 Piece

Dimensions



Length	240 mm
Width	20 mm
Height	64 mm

Technical data sheet

Pressure clip with knock-in anchor, for 16 cables

Item number: 2204819



Technical data

No. of conductors NYM 3 x 1.5	16
Flame-resistant version	no
Maintain electrical functions	no
Halogen-free	yes
With anchor	yes