

Technical data sheet

Pressure clip for 8 cables, connectable

Item number: 2205052



Pressure clip for mounting up to 8 cables NYM 3 x 1.5 mm², e. g. on partition walls or false ceilings. Suitable for the fastening with gas- and battery-operated firing tools of the brands Bosch, Fischer and Spit (outer nose diameter Ø 11 mm). Clamping height 9 mm, with spacer 13 mm. Fastening hole: Ø 11 mm. 2032 for max. 8 cables NYM 3 x 1.5 mm²



PA Polyamide

Master data

Item number	2205052
Type	2032 AS
Description 1	Pressure clip
Description 2	connectable
Manufacturer	OBO
Dimension	1x8 NYM3x1,5
Colour	Light grey; RAL 7035
Material	Polyamide
Smallest sales unit	50
Unit of quantity	Piece
Weight	1.3 kg
Weight unit	kg/100 pc.
CO2 Footprint (GWP) Cradle-to-Gate	0,057 kg CO2e / 1 Piece

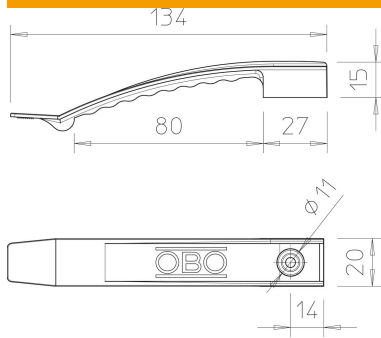
Technical data sheet

Pressure clip for 8 cables, connectable

Item number: 2205052



Dimensions



Technical data

No. of conductors NYM 3 x 1.5	8
Flame-resistant version	no
Maintain electrical functions	no
Halogen-free	yes
With anchor	no