

Technical data sheet

Grip 20 flame-resistant

Item number: 2205412



Collection clamp with moulded fastening element, for mounting up to 20 cables NYM 3 x 1.5 mm² on walls or ceilings. Fastening with impact anchor or push-fit anchor. Fastening hole: Ø 6 mm. Recommended fastening distance of 250–400 cm when fully assigned, depending on the respective national specifications/norms. Flame resistant to DIN VDE 0471/DIN IEC 695 Part 2-1, test temperature 960 °C.

With multifunctional fastening element.

Capacity: 2031/ 20 max. 20 cables NYM 3 x 1.5 mm²



PP Polypropylene

Master data

Item number	2205412
Type	2031 F 20
Description 1	Grip collecting clamp
Description 2	flame-resistant to 960°C
Manufacturer	OBO
Dimension	20x NYM3x1,5
Colour	Stone grey; RAL 7030
Material	Polypropylene
Smallest sales unit	50
Unit of quantity	Piece
Weight	1.92 kg
Weight unit	kg/100 pc.
CO2 Footprint (GWP) Cradle-to-Gate	0,0941 kg CO2e / 1 Piece

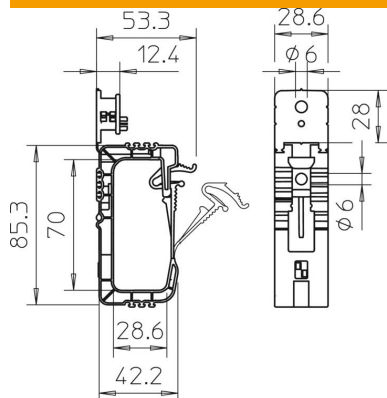
Technical data sheet

Grip 20 flame-resistant

Item number: 2205412



Dimensions



Technical data

No. of conductors NYM 3 x 1.5	20
Flame-resistant version	yes
Breaking load	0.32 kN
Flame-resistant	Acc. to VDE 0471/DIN 695 Part 2-1, test temperature 960 °C
Maintain electrical functions	no
Halogen-free	yes
With anchor	no