

# Technical data sheet

## Nail-Fix, without nail

Item number: 2222809



Without nails for refitting  $\varnothing$  3 mm and 3.5 mm steel nails to fix cables in masonry slots and on masonry for one or two cables NYM 3 x 1.5/2.5 mm<sup>2</sup> or one or two cables NYM 5 x 1.5/2.5 mm<sup>2</sup>.



**PP** Polypropylene

### Master data

|                                    |                          |
|------------------------------------|--------------------------|
| Item number                        | 2222809                  |
| Type                               | 1996 O                   |
| Description 1                      | Nagel-Fix                |
| Description 2                      | no nail                  |
| Manufacturer                       | OBO                      |
| Dimension                          | 34x25mm                  |
| Colour                             | Transparent              |
| Material                           | Polypropylene            |
| Smallest sales unit                | 100                      |
| Unit of quantity                   | Piece                    |
| Weight                             | 0.053 kg                 |
| Weight unit                        | kg/100 pc.               |
| CO2 Footprint (GWP) Cradle-to-Gate | 0,0029 kg CO2e / 1 Piece |

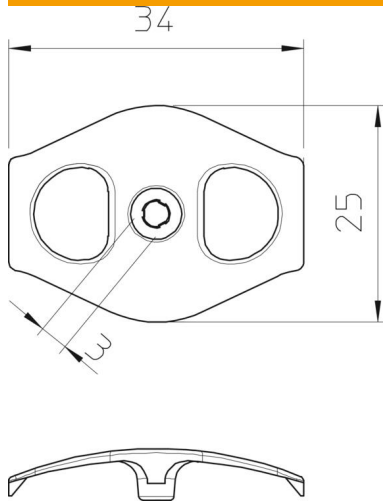
# Technical data sheet

## Nail-Fix, without nail

Item number: 2222809



### Dimensions



### Technical data

|                   |                                  |
|-------------------|----------------------------------|
| Double clip       | yes                              |
| Shape             | Rectangular (for flat conductor) |
| For nail diameter | 3,0 - 3,5                        |
| Hardened          | no                               |
| Halogen-free      | yes                              |
| With nail         | no                               |
| Nail diameter     | 3 mm                             |
| Impact-resistant  | no                               |