

# Technical data sheet

ISO nail clip 2014, white

Item number: 2226103



ISO nail clip, short design



PP Polypropylene

## Master data

Item number	2226103
Type	2014 30 RW
Description 1	ISO nail clip
Manufacturer	OBO
Dimension	14mm, L30
Colour	Pure white; RAL 9010
Material	Polypropylene
Smallest sales unit	50
Unit of quantity	Piece
Weight	0.432 kg
Weight unit	kg/100 pc.
CO2 Footprint (GWP) Cradle-to-Gate	0,0097 kg CO2e / 1 Piece

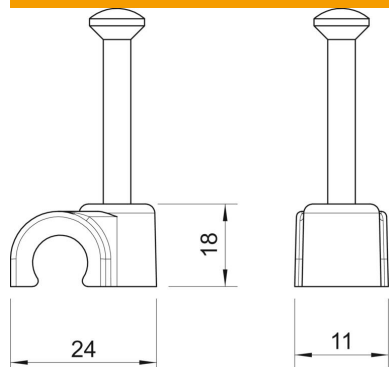
# Technical data sheet

ISO nail clip 2014, white

Item number: 2226103



## Dimensions



Dimension B	11 mm
Dimension H	18 mm
Dimension L	24 mm

## Technical data

Double clip	no
Shape for cable diameter	Round (for round conductor)
For nail diameter	2,0x30
Hardened	yes
Halogen-free	yes
With nail	yes
Nail length	30 mm
Impact-resistant	no
Pipe locking	no