

Technical data sheet

ISO nail clip 2020, white

Item number: 2226405



ISO nail clip, short design



PP Polypropylene

Master data

Item number	2226405
Type	2020 40 RW
Description 1	ISO nail clip
Manufacturer	OBO
Dimension	20mm, L40
Colour	Pure white; RAL 9010
Material	Polypropylene
Smallest sales unit	25
Unit of quantity	Piece
Weight	0.419 kg
Weight unit	kg/100 pc.
CO2 Footprint (GWP) Cradle-to-Gate	0,0172 kg CO2e / 1 Piece

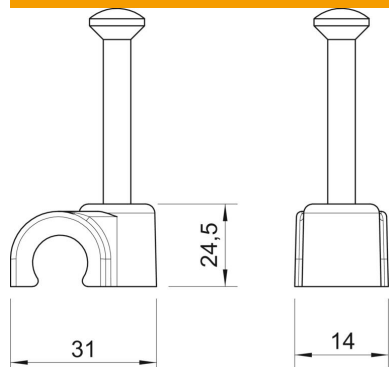
Technical data sheet

ISO nail clip 2020, white

Item number: 2226405



Dimensions



Dimension B	14 mm
Dimension H	24.5 mm
Dimension L	31 mm

Technical data

Double clip	no
Shape for cable diameter	Round (for round conductor)
For nail diameter	2,0x40
Hardened	yes
Halogen-free	yes
With nail	yes
Nail length	40 mm
Impact-resistant	no
Pipe locking	no