

Technical data sheet

ISO nail clip 2011, light grey

Item number: 2227916



ISO nail clip, short design



PP Polypropylene

Master data

Item number	2227916
Type	2011 35 LGR
Description 1	ISO nail clip
Manufacturer	OBO
Dimension	11mm, L35
Colour	Light grey; RAL 7035
Material	Polypropylene
Smallest sales unit	100
Unit of quantity	Piece
Weight	0.162 kg
Weight unit	kg/100 pc.
CO2 Footprint (GWP) Cradle-to-Gate	0,0059 kg CO2e / 1 Piece

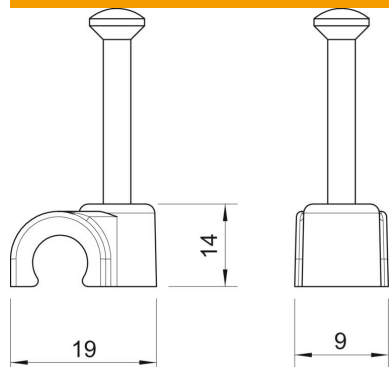
Technical data sheet

ISO nail clip 2011, light grey

Item number: 2227916



Dimensions



Dimension B	9 mm
Dimension H	14 mm
Dimension L	19 mm

Technical data

Double clip	no
Shape for cable diameter	Round (for round conductor)
For nail diameter	2,0x35
Hardened	yes
Halogen-free	yes
With nail	yes
Nail length	35 mm
Impact-resistant	no
Transparent	no
Pipe locking	no