

# Technical data sheet

Adhesive clip 2028, light grey

Item number: 2228904



Adhesive clip, for clamping to the cable.



PP Polypropylene

## Master data

Item number	2228904
Type	2028 40 LGR
Description 1	Self-retaining clip
Manufacturer	OBO
Dimension	14-17mm, L40
Colour	Light grey; RAL 7035
Material	Polypropylene
Smallest sales unit	100
Unit of quantity	Piece
Weight	0.27 kg
Weight unit	kg/100 pc.
CO2 Footprint (GWP) Cradle-to-Gate	0,0111 kg CO2e / 1 Piece

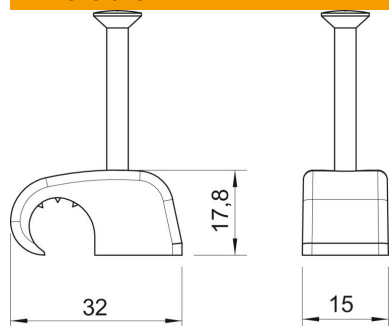
# Technical data sheet

Adhesive clip 2028, light grey

Item number: 2228904



## Dimensions



Dimension B	15 mm
Dimension H	17.8 mm
Dimension L	32 mm

## Technical data

Double clip	no
Shape	Round (for round conductor)
for cable diameter, max.	17 mm
for cable diameter, min.	14 mm
For nail diameter	2,0 x 40
Hardened	yes
Halogen-free	yes
With nail	yes
Nail length	40 mm
Impact-resistant	yes
Pipe locking	no