

Technical data sheet

ISO nail clip 2007, black

Item number: 2232146



ISO nail clip, short design



PP Polypropylene

Master data

Item number	2232146
Type	2007 25 SW
Description 1	ISO nail clip
Manufacturer	OBO
Dimension	7mm, L25
Colour	Jet black; RAL 9005
Material	Polypropylene
Smallest sales unit	100
Unit of quantity	Piece
Weight	0.097 kg
Weight unit	kg/100 pc.
CO2 Footprint (GWP) Cradle-to-Gate	0,0034 kg CO2e / 1 Piece

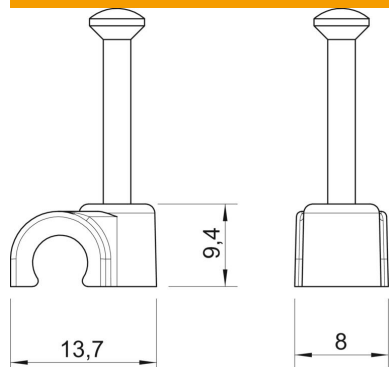
Technical data sheet

ISO nail clip 2007, black

Item number: 2232146



Dimensions



Dimension B	8 mm
Dimension H	9.4 mm
Dimension L	13.7 mm

Technical data

Double clip	no
Shape	Round (for round conductor)
for cable diameter	7 mm
For nail diameter	2,0x25
Hardened	yes
Halogen-free	yes
With nail	yes
Nail length	25 mm
Impact-resistant	no
Transparent	no
Pipe locking	no