

Technical data sheet

Ceiling outlet

Item number: 2236028



Ceiling outlet 25.3 x 5 mm



PS Polystyrene

Master data

Item number	2236028
Type	510
Description 1	Ceiling outlet
Manufacturer	OBO
Dimension	25,3x5mm
Colour	Light grey; RAL 7035
Material	Polystyrene
Smallest sales unit	100
Unit of quantity	Piece
Weight	0.223 kg
Weight unit	kg/100 pc.
CO2 Footprint (GWP) Cradle-to-Gate	0,0092 kg CO2e / 1 Piece

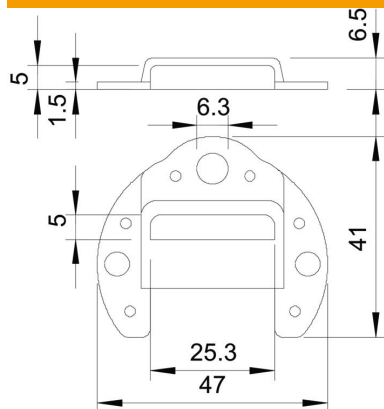
Technical data sheet

Ceiling outlet

Item number: 2236028



Dimensions



Technical data

No. of entries	1
Cable version	Flat webbed cable
Halogen-free	yes
With anchor and hook screw	no
With hook screw	no
Mounting type	With anchor
Impact-resistant	no
Self-adhesive	no