

Technical data sheet

Series pressure clip, light grey

Item number: 2250071



Universal clip for the single fastening of cables and pipes, all sizes can be seamlessly expanded among each other, with adhesive foot, slot and for screwing to M6 thread.

To stick the polyamide clips to masonry and concrete, use Impu-Fix ribbon conductor quick adhesive, type 509.

*Sizes 3–7 are not suitable for nail guns.



PA Polyamide

Master data

Item number	2250071
Type	2037 3-7 LGR
Description 1	Series pressure clip
Manufacturer	OBO
Dimension	3-7mm
Colour	Light grey; RAL 7035
Material	Polyamide
Smallest sales unit	100
Unit of quantity	Piece
Weight	0.26 kg
Weight unit	kg/100 pc.
CO2 Footprint (GWP) Cradle-to-Gate	0,0136 kg CO2e / 1 Piece

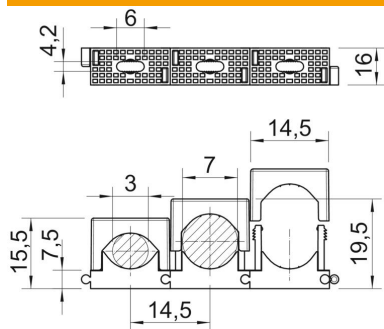
Technical data sheet

Series pressure clip, light grey

Item number: 2250071



Dimensions



Dimension A	14.5 mm
Dimension d max.	7 mm
Dimension d min.	3 mm
Dimension F	6 mm
Dimension H1	7.5 mm
Dimension H2	15.5 mm
Dimension H3	19.5 mm

Technical data

Expandable	yes
Number of cables/pipes	1
Fastening type	Screw hole
Halogen-free	yes
Snap system	yes
Impact-resistant	no
Clamping range D, max.	7 mm
Clamping range D, min.	3 mm