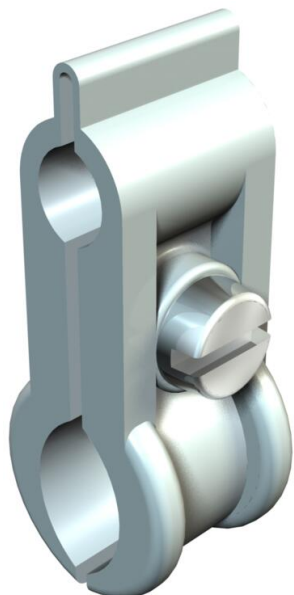


Technical data sheet

Tensioning wire clip, polystyrene

Item number: 2305151



Bolt, steel, electrogalvanised, light grey.



PS Polystyrene

Master data

Item number	2305151
Type	4024 9-16
Description 1	Tensioning wire clip
Manufacturer	OBO
Dimension	9-16mm
Colour	Light grey; RAL 7035
Material	Polystyrene
Smallest sales unit	100
Unit of quantity	Piece
Weight	0.46 kg
Weight unit	kg/100 pc.
CO2 Footprint (GWP) Cradle-to-Gate	0,0153 kg CO2e / 1 Piece

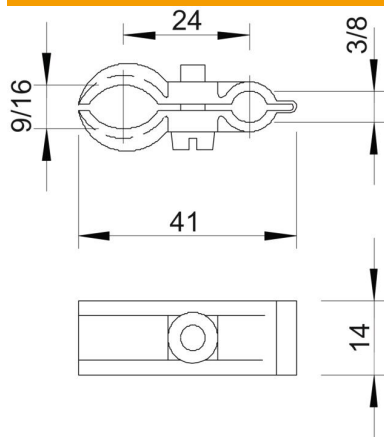
Technical data sheet

Tensioning wire clip, polystyrene

Item number: 2305151



Dimensions



Dimension A	41 mm
Dimension B	24 mm
Dimension b	14 mm

Technical data

Number of cables/pipes	1
Version for	Not insulated
Halogen-free	yes
Bolt	M4x13