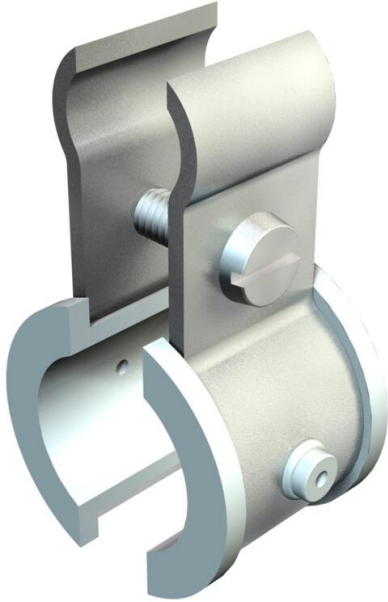


Technical data sheet

Fix ISO tensioning wire clip

Item number: 2307634



Metal clip with plastic inlay, steel, strip galvanised, polyethylene inlays.



St Steel

FS Strip galvanized

Master data

| | |
|------------------------------------|------------------------|
| Item number | 2307634 |
| Type | 4021 K 9-16 |
| Description 1 | Tensioning wire clip |
| Description 2 | with plastic inserts |
| Manufacturer | OBO |
| Dimension | 9-16mm |
| Colour | Light grey; RAL 7035 |
| Material | Steel |
| Surface | Strip galvanized |
| Surface standard | DIN EN 10346 |
| Smallest sales unit | 100 |
| Unit of quantity | Piece |
| Weight | 1.457 kg |
| Weight unit | kg/100 pc. |
| CO2 Footprint (GWP) Cradle-to-Gate | 0,04 kg CO2e / 1 Piece |

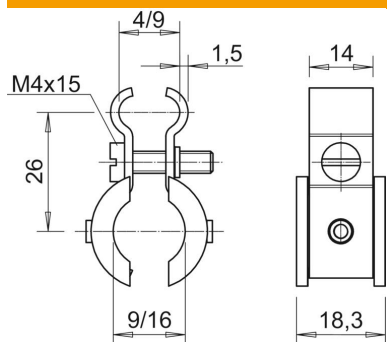
Technical data sheet

Fix ISO tensioning wire clip

Item number: 2307634



Dimensions



| | |
|--------------|---------|
| Dimension A | 26 mm |
| Dimension b | 14 mm |
| Dimension b1 | 18.3 mm |

Technical data

| | |
|------------------------|---------------|
| Number of cables/pipes | 1 |
| Version for | Not insulated |
| Bolt | M4x16 |