

# Technical data sheet

## Driving head for LightEarth earth rod

Item number: 3042308



- Suitable for LightEarth system
- For driving earth rods using hand-held hammer
- Hardened

<b>St</b>	Steel
<b>FT</b>	Hot-dip galvanised

### Master data

Item number	3042308
Type	LE KOPF
Description 1	Driving head
Description 2	for LightEarth earth rod
Manufacturer	OBO
Dimension	25mm
Material	Steel
Surface	Hot-dip galvanised
Surface standard	DIN EN ISO 1461
Smallest sales unit	1
Unit of quantity	Piece
Weight	0.55 kg
Weight unit	kg/100 pc.
CO2 Footprint (GWP) Cradle-to-Gate	0,0728 kg CO2e / 1 Piece

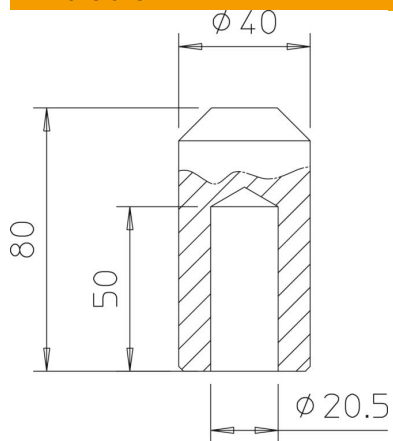
# Technical data sheet

## Driving head for LightEarth earth rod

Item number: 3042308



### Dimensions



### Technical data

Version for	Impact head
Design earth rod	Pipe earth rods
for earth rods	25 mm