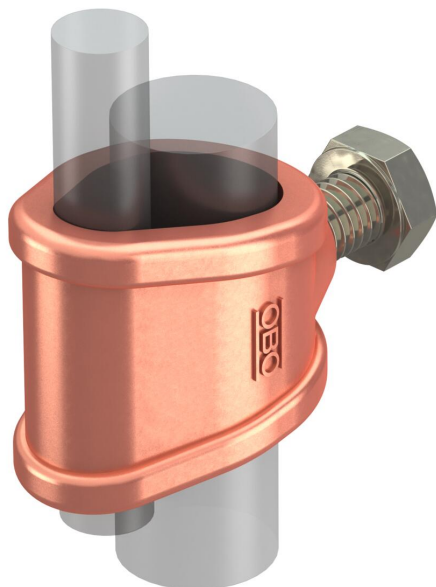


Technical data sheet

Connection clamp for earth rod or cables

Item number: 5001560



- For earth rods \varnothing 20 or conductors of 95 mm²
- For round conductor attachments Rd 7–12.5 with hexagonal bolts M10 x 25

CuZn
37 Brass

Cu Copper-plated

Master data

Item number	5001560
Type	2745 20 MS
Description 1	Connection sleeve
Description 2	for OMEX 218+219
Manufacturer	OBO
Dimension	20mm
Material	Brass
Surface	Copper-plated
Surface standard	
Smallest sales unit	5
Unit of quantity	Piece
Weight	16 kg
Weight unit	kg/100 pc.

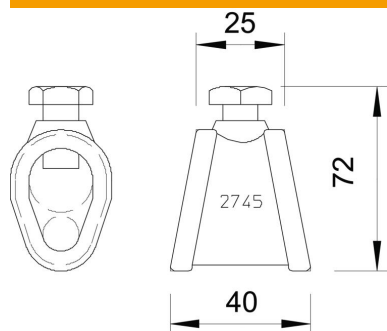
Technical data sheet

Connection clamp for earth rod or cables

Item number: 5001560



Dimensions



Technical data

Type	Connection sleeve
for earth rods	20 mm
Fit	7-12,5/S95 mm
Intermediate plate	no