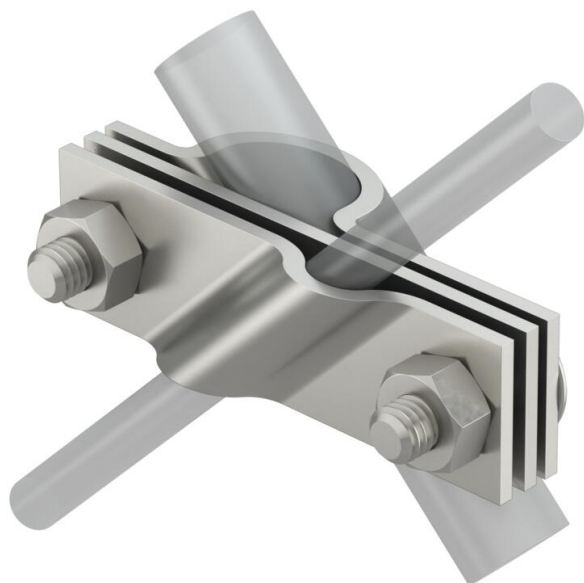


Technical data sheet

Connection clip for earth rod, universal A4

Item number: 5001633



- Meets the requirements of VDE 0185-305-3 (IEC/ EN 62305-3)
- Suitable for connecting round conductors Rd 8-10 or flat conductors to FL 40
- With adapter plate
- Mounted with 2 hexagonal bolts M10 x 30 and 2 hexagonal bolts M10



A4 Stainless steel

Master data

Item number	5001633
Type	2760 20 V4A
Description 1	Connecting strap
Description 2	for round wire
Manufacturer	OBO
Dimension	20mm
Material	Stainless steel 1.4404
Smallest sales unit	5
Unit of quantity	Piece
Weight	32.4 kg
Weight unit	kg/100 pc.
CO2 Footprint (GWP) Cradle-to-Gate	1,609 kg CO2e / 1 Piece

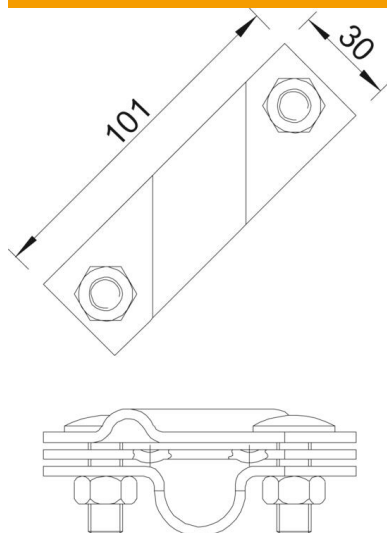
Technical data sheet

Connection clip for earth rod, universal A4

Item number: 5001633



Dimensions



Dimension A | 101 mm

Technical data

Type	Connection clip
Earthing connection diameter for earth rods	20 mm
Suitable for round conductor diameters, max.	10 mm
Suitable for round conductor diameters, min.	8 mm
Fit	Rd 8-10/FL40 mm
Intermediate plate	no
Clamping range, max.	10 mm
Clamping range, min.	8 mm