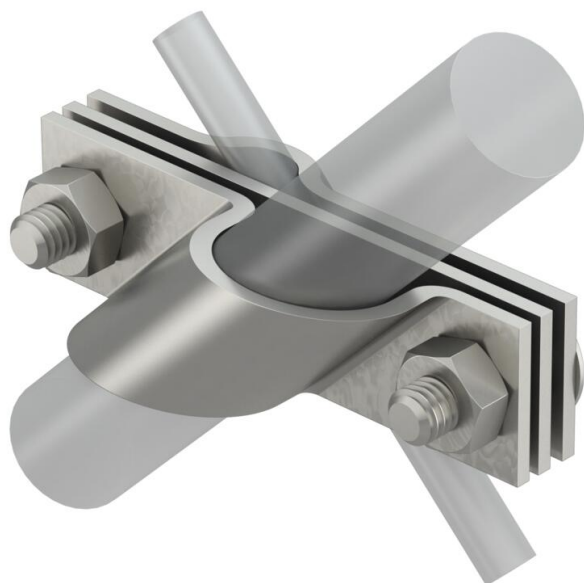


Technical data sheet

Connection clamp for earth rod, universal A4

Item number: 5001672



- Meets the requirements of VDE 0185-305-3 (IEC/ EN 62305-3)
- Suitable for connecting round conductors Rd 8-10 or flat conductors to FL 40
- With adapter plate
- Mounted with 2 hexagonal bolts M10 x 30 and 2 hexagonal bolts M10



A4 Stainless steel

Master data

Item number	5001672
Type	2760 25 V4A
Description 1	Connection clamp
Description 2	for round and flat conductors
Manufacturer	OBO
Dimension	25mm
Material	Stainless steel 1.4404
Smallest sales unit	5
Unit of quantity	Piece
Weight	32.4 kg
Weight unit	kg/100 pc.
CO2 Footprint (GWP) Cradle-to-Gate	1,6758 kg CO2e / 1 Piece

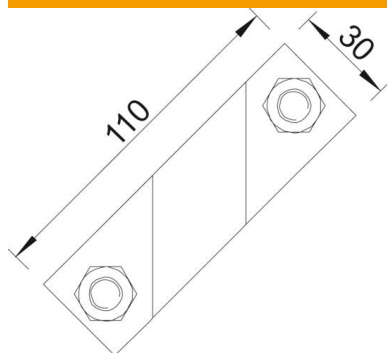
Technical data sheet

Connection clamp for earth rod, universal A4

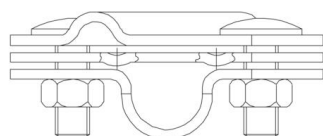
Item number: 5001672



Dimensions



Dimension A | 110 mm



Technical data

Type	Connection clip
Earthing connection diameter for earth rods	25 mm
Suitable for round conductor diameters, max.	25 mm
Suitable for round conductor diameters, min.	10 mm
Fit	8 mm
Intermediate plate	Rd 8-10/FL40 mm
Clamping range, max.	yes
Clamping range, min.	10 mm
	8 mm