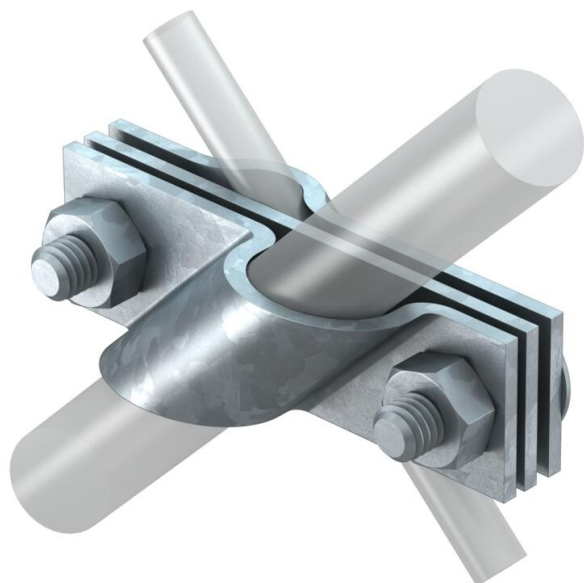


Technical data sheet

Connection clamp for earth rod, universal FT

Item number: 5001749



- Meets the requirements of VDE 0185-305-3 (IEC/ EN 62305-3)
- Suitable for connecting round conductors Rd 8-10 or flat conductors to FL 40
- With adapter plate
- Mounted with 2 hexagonal bolts M10 x 30 and 2 hexagonal bolts M10



St Steel

FT Hot-dip galvanised

Master data

Item number	5001749
Type	2760 B-20 FT
Description 1	Connecting strap
Manufacturer	OBO
Dimension	20mm
Material	Steel
Surface	Hot-dip galvanised
Surface standard	DIN EN ISO 1461
Smallest sales unit	20
Unit of quantity	Piece
Weight	32.4 kg
Weight unit	kg/100 pc.
CO2 Footprint (GWP) Cradle-to-Gate	0,6668 kg CO2e / 1 Piece

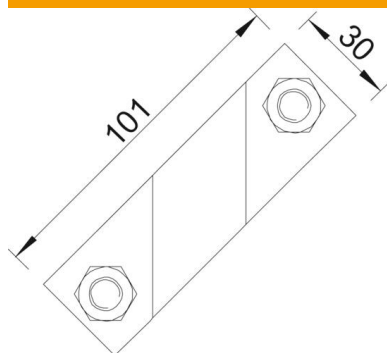
Technical data sheet

Connection clamp for earth rod, universal FT

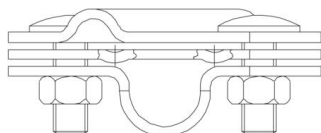
Item number: 5001749



Dimensions



Dimension A | 101 mm



Technical data

Type	Connection clip
Earthing connection diameter for earth rods	20 mm
Suitable for round conductor diameters, max.	10 mm
Suitable for round conductor diameters, min.	8 mm
Short-circuit current (50 HZ)(1 s; $\leq 300^{\circ}\text{C}$)	7.9 kA
Fit	Rd 8-10/FL40 mm
Intermediate plate	yes
Clamping range, max.	10 mm
Clamping range, min.	8 mm