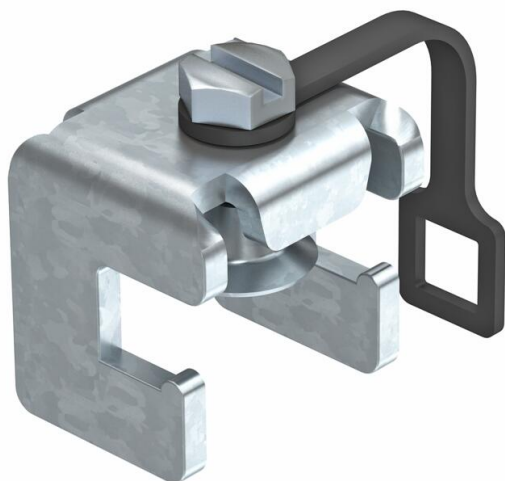


Technical data sheet

Flat conductor terminal to FL 30 for 1801 VDE

Item number: 5015731



- For flat conductors to FL 30 and thickness to 5 mm
- Captive design with plastic safety strap
- 3 division units
- Lightning current carrying capacity 100 kA (10/350)
- Electrogalvanized steel



St Steel

G Electrogalvanized

Master data

Item number	5015731
Type	1801 RK30
Description 1	Series terminal
Description 2	for equipotential busbar
Manufacturer	OBO
Dimension	30mm
Material	Steel
Surface	Electrogalvanized
Surface standard	EN ISO 19598 / EN ISO 4042
Smallest sales unit	1
Unit of quantity	Piece
Weight	10.643 kg
Weight unit	kg/100 pc.
CO2 Footprint (GWP) Cradle-to-Gate	0,3767 kg CO2e / 1 Piece

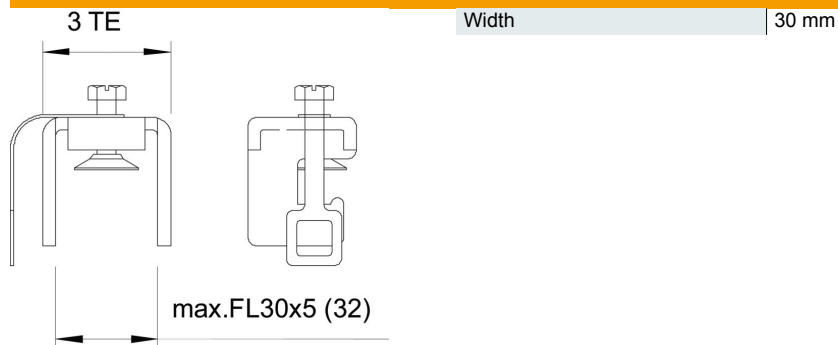
Technical data sheet

Flat conductor terminal to FL 30 for 1801 VDE

Item number: 5015731



Dimensions



Technical data

Connection options	FL 30 x 5
Suitable for ribbon conductor connection	yes
Suitable for round cable connection	no
Suitable for sector conductor connection	no
Dividing unit TE (10 mm)	4
Suitable for busbar	Other