

# Technical data sheet

## Basic protection for 4-wire information technology systems with RJ45

Item number: 5081001



Data line protection device for IT systems

- In aluminium housing
- RJ45 connector
- Incl. 150 mm connection cable with RJ45 connectors
- Simple mounting using adapter
- 2-stage protection circuit
- DIN rail mounting with DLS-BS accessories (5082 38 2)

Application: Twisted Pair, control circuits, RJ45 communication cables



### Master data

Item number	5081001
Type	RJ45 S-E100 4-B
Description 1	Basic protection device
Description 2	for data technology
Manufacturer	OBO
Dimension	170V
Smallest sales unit	1
Unit of quantity	Piece
Weight	14 kg
Weight unit	kg/100 pc.
CO2 Footprint (GWP) Cradle-to-Gate	1,4923 kg CO2e / 1 Piece

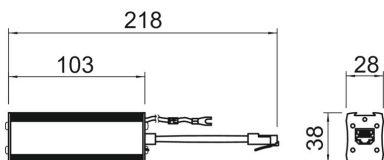
# Technical data sheet

## Basic protection for 4-wire information technology systems with RJ45

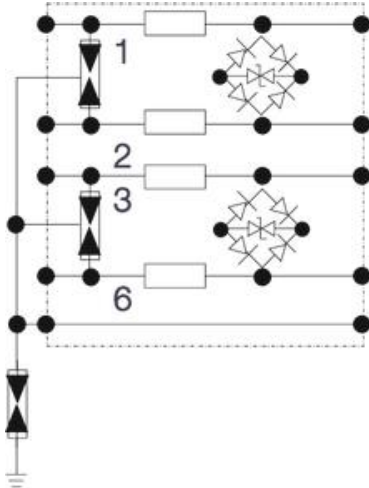
Item number: 5081001



### Dimensions



### Technical data



Arrestor monitoring	no
Number of poles	4
Version for	Basic protection, 4 wires + shield
Channel performance Ansi/EA	CAT 5e
Channel performance ISO/IEC	Class E
Insertion loss	≤3 dB
Earthing via:	Connection cable
Total discharge current (10/350)	2,5 kA
Total discharge current (8/20)	7.5 kA
Cut-off frequency	463 MHz
Maximum continuous voltage AC	120 V
Maximum continuous voltage DC	170 V
Lightning impulse current	0.5 kA
Insulation resistance	>1 GΩ
Capacity (wire-wire)	<20 pF
Capacity (wire-earth)	<20 pF
Kategorie	Type 1+2 / D1+C2
Lightning protection zone LPZ	0→2
Mounting type	Connector/cable adapter
Nominal load current AC	0.7 A
Nominal load current DC	1 A
Testing standard	IEC 61643-21
Shielding connection available	yes
Screening	Indirect
Protection rating	IP40
Protection level wire-wire	<700 V
Protection level wire-earth	<850 V
Signalling on device	Without
SPD to IEC 61643-21	Class I+II / D1+C2
Plug-in system	RJ45
Impulse durability wire-wire	C2: 3 kV / 1,5 kA (8/20µs)
Impulse durability wire-earth	C2: 3 kV / 1,5 kA (8/20µs)
Permitted temperature range, max.	80 °C
Permitted temperature range, min.	-40 °C