

# Technical data sheet

## FineController FC-TAE for telephone systems and terminals

Item number: 5092824



Type 3 combined surge protection to EN 61643-11, designed for use in telephone systems with TAE connection (telephones upstream of the NTBA/DSL splitter).

- Adapter connector
- Cut-off unit and function display
- With increased contact protection
- Incl. 0.5 m connection cable TAE / RJ11
- Maximum continuous voltage, TAE connection 200 V DC / 1.5 A (25 °C)
- Limit frequency: type 4 MHz / VDSL up to 46 MBit/s

Note: The technical data in the table below refers to the power supply.



### Master data

Item number	5092824
Type	FC-TAE-D
Description 1	FineController
Description 2	including telephone protection
Manufacturer	OBO
Dimension	230V
Colour	Pure white; RAL 9010
Smallest sales unit	1
Unit of quantity	Piece
Weight	18 kg
Weight unit	kg/100 pc.
CO2 Footprint (GWP) Cradle-to-Gate	0,0664 kg CO2e / 1 Piece

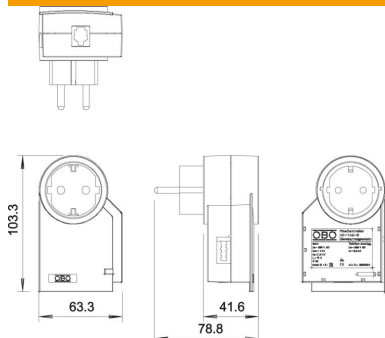
# Technical data sheet

FineController FC-TAE for telephone systems and terminals

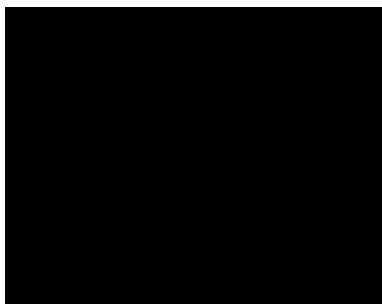
Item number: 5092824



## Dimensions



## Technical data



Response time	<25 ns
Blow-out	no
Telecommunications contact	no
Frequency range, max.	4
Frequency range, min.	0
Cut-off frequency	4 MHz
Max. continuous operating voltage	275 V
Lightning protection zone LPZ	2→3
Country-specific version	D
Maximum back-up fuse	16 A
With interference suppression filter	no
Nominal discharge surge current	3 kA
Rated current	16 A
Nominal voltage	230 V
Test class, type 3	yes
Protection rating	IP20
Protection level	< 1,5 kV
Protection level (L-N / L/N-PE)	<1200 / <1500 V
Protection level (L-N)	< 1,2 kV
Protection level (N-PE)	< 1,5 kV
Signalling on device	Visual
SPD to EN 61643-11	Type 3
SPD to IEC 61643-1	Class III
Permitted temperature range, max.	75 °C
Permitted temperature range, min.	-25 °C