

Technical data sheet

Combination arrester V50, 3-pole + NPE with FS 385 V



Item number: 5093592



Lightning current combination arrester, type 1+2

- For lightning current equipotential bonding to VDE 0185-305 (IEC 62305)
- Lightning current arresting capacity of 12.5 kA (10/350) per pole and up to 50 kA (10/350) in total
- Modular, plug-in arrester with cut-off unit and visual status display
- Locking mechanism with vibration protection and voltage keying
- Plastic to UL 94 V-0
- The remote signalling (FS) variants have a potential-free changeover contact for remote signalling

Application: Lightning current equipotential bonding for buildings of class III and IV.

* Complete = Plug-in arrester and base



PA Polyamide

Master data

| | |
|------------------------------------|--------------------------|
| Item number | 5093592 |
| Type | V50-3+NPE+FS-385 |
| Description 1 | CombiController V50 |
| Description 2 | 3-pole with NPE + RS |
| Manufacturer | OBO |
| Dimension | 385V |
| Material | Polyamide |
| Smallest sales unit | 1 |
| Unit of quantity | Piece |
| Weight | 65 kg |
| Weight unit | kg/100 pc. |
| CO2 Footprint (GWP) Cradle-to-Gate | 2,6993 kg CO2e / 1 Piece |

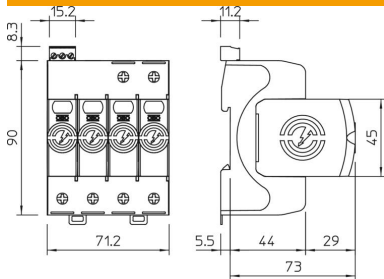
Technical data sheet

Combination arrester V50, 3-pole + NPE with FS 385 V

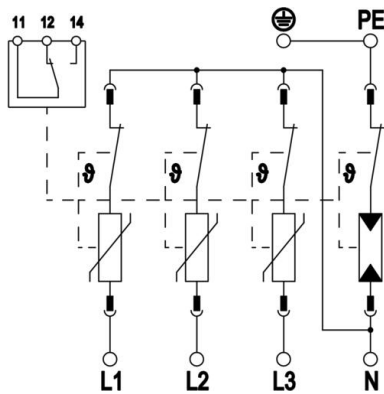


Item number: 5093592

Dimensions



Technical data



| | |
|---|---------------------|
| Arrester surge current (8/20 μ s) [total] | 80 kA |
| Connection cross-section (min.) | 1.5 mm ² |
| Connection cross-section, FM terminals, max. | 16 AWG |
| Connection cross-section, FM terminals, max. | 1.5 mm ² |
| Connection cross-section, FM terminals, min. | 21 AWG |
| Connection cross-section, FM terminals, min. | 0.5 mm ² |
| Response time | <25 ns |
| Response time [L-N] | 25 ns |
| Response time [N-PE] | 100 ns |
| Blow-out | no |
| Pole version | 3+N/PE |
| Structural width in division units (division unit, 17.5 mm) | 4 |
| Operating temperature, max. | 80 °C |
| Operating temperature, min. | -40 °C |
| Lightning surge current (10/350 μ s) | 12.5 kA |
| Lightning surge current (10/350 μ s) [L-N/PE] | 12.5 kA |
| Lightning surge current (10/350 μ s) [N/PE] | 50 kA |
| Lightning surge current (10/350) | 50 kA |
| Torque | 35 Lbs |
| Torque | 4 Nm |
| Torque for FM terminal | 1.7 Lbs |
| Torque for FM terminal | 0.2 Nm |
| Installation location | Interior |
| Remote signalling | yes |
| FM contacts | Changeover |
| Follow current quenching capacity (eff) [N-PE] | 0.1 kA |
| Function/defect display | Visual |
| Housing material surge protection components | PA UL 94 V-0 |
| Combined voltage protection level [L-PE] | 2.5 kV |

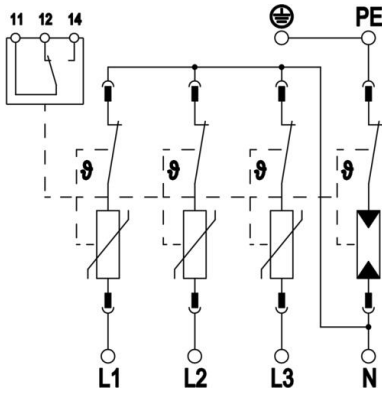
Technical data sheet

Combination arrester V50, 3-pole + NPE with FS 385 V



Item number: 5093592

Technical data



| | |
|---|----------------------------|
| Maximum continuous voltage (L-N) | 385 V |
| Maximum continuous voltage (N-PE) | 255 V |
| Maximum continuous voltage AC | 385 V |
| Integrated back-up fuse | no |
| Short-circuit resistance for max. mains-side overcurrent protection | 50 kA eff |
| Conductor cross-section, flexible (fine-wire), max. | 35 mm ² |
| Conductor cross-section, flexible (fine-wire), max. | 2 AWG |
| Conductor cross-section, flexible (fine-wire), min. | 16 AWG |
| Conductor cross-section, flexible (fine-wire), min. | 1.5 mm ² |
| Conductor cross-section, rigid (single-wire/multiwire), max. | 2 AWG |
| Conductor cross-section, rigid (single-wire/multiwire), max. | 35 mm ² |
| Conductor cross-section, rigid (single-wire/multiwire), min. | 16 AWG |
| Conductor cross-section, rigid (single-wire/multiwire), min. | 1.5 mm ² |
| Humidity, min. | 5 % |
| Humidity, max. | 95 % |
| Max. mains-side overcurrent protection | 160 A gL/gG |
| Maximum back-up fuse | 160 A |
| Maximum discharge current (8/20 µs) | 50 kA |
| Maximum discharge current (8/20 µs) [L-N] | 50 kA |
| Minimum distance | 1.5 mm |
| Installation type | DIN rail 35 mm |
| Nominal discharge current (8/20 µs) | 30 kA |
| Nominal discharge current (8/20 µs) [L-N] | 30 kA |
| Nominal frequency | 50 Hz |
| Nominal voltage AC (50/60 Hz) | 230 V |
| Network form | Other |
| TN network form | yes |
| TN-C-S network form | yes |
| TN-S network form | yes |
| TT network form | yes |
| Pole number | 4 |
| Ports | One-Port SPD |
| Residual voltage [L-N] @ 1 kA | 1.1 kV |
| Residual voltage [L-N] @ 12.5 kA | 1.3 kV |
| Residual voltage [L-N] @ 5 kA | 1.2 kV |
| Residual voltage [L-N] @ 7 kA | 1.2 kV |
| Switching power AC | 230 V; 0,5 A |
| Switching power DC | 230 V; 0,1 A / 75 V; 0,5 A |
| Protection rating | IP20 |
| Protective conductor current | < 5 µA |

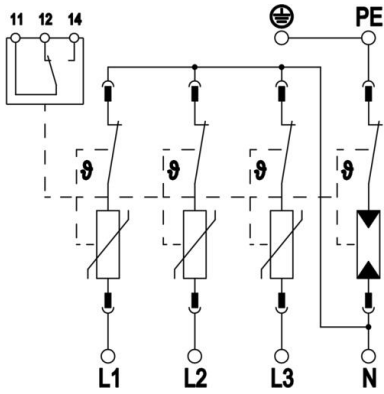
Technical data sheet

Combination arrester V50, 3-pole + NPE with FS 385 V



Item number: 5093592

Technical data



| | |
|---|-----------------|
| Protection level | ≤1,7 kV |
| Protection level [L-N] | ≤1,7 |
| Protection level [N-PE] | 1.5 kV |
| Signalling on device | Visual |
| SPD to EN 61643-11 | Type 1+2 |
| SPD to IEC 61643-1 | Class I+II |
| SPD to UL 1449 | Type 4 |
| Permitted temperature range, max. | 80 °C |
| Permitted temperature range, min. | -40 °C |
| TOV voltage [L-N] – fail safe mode – 120 min. | 670 V |
| TOV voltage [L-N] – withstand mode – 5 s | 510 V |
| TOV voltage [N-PE] – withstand mode – 200 ms | 1200 V |
| Approvals | VDE KEMA UL ÖVE |