

Technical data sheet

Bonding base including industrial bonding pad

Item number: 5207266



- With threaded stem M8
- For mounting cable supports with M8 female thread
- For bonding to concrete, steel or smooth substrates
- Not suitable for rough surfaces such as plaster, wood, bitumen strips
- Processing at > +15 °C and on cleaned substrate
- When installing flat conductors and round conductors, expansion elements are to be used for thermal compensation
- Use on film roofs after consultation with the responsible roof construction company

PA Polyamide

Master data

Item number	5207266
Type	194 K
Description 1	Adhesive base
Description 2	with adhesive strips
Manufacturer	OBO
Dimension	M8
Colour	Grey
Material	Polyamide
Smallest sales unit	20
Unit of quantity	Piece
Weight	0.6 kg
Weight unit	kg/100 pc.
CO2 Footprint (GWP) Cradle-to-Gate	0,024 kg CO2e / 1 Piece

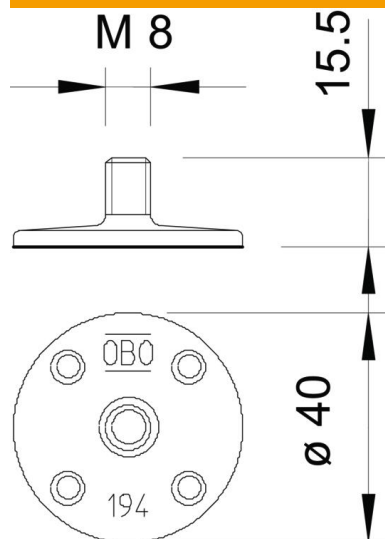
Technical data sheet

Bonding base including industrial bonding pad

Item number: 5207266



Dimensions



Technical data

Type of accessory	Base
Thread	M8