

Technical data sheet

Roof conductor holder for tiled roofs, Rd 8

Item number: 5215555



- Conductor holder from stainless steel (V2A)
- Including drill hole in bottom section for quick installation



A2 Stainless steel

Master data

Item number	5215555
Type	157 F-VA 230 35
Description 1	Roof conductor holder
Manufacturer	OBO
Dimension	35 mm
Material	Stainless steel 1.4301
Smallest sales unit	20
Unit of quantity	Piece
Weight	8.3 kg
Weight unit	kg/100 pc.
CO2 Footprint (GWP) Cradle-to-Gate	0,3994 kg CO2e / 1 Piece

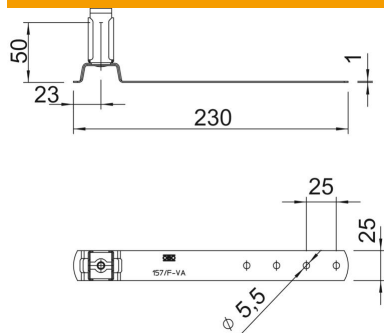
Technical data sheet

Roof conductor holder for tiled roofs, Rd 8

Item number: 5215555



Dimensions



Length	230 mm
Dimension L	230 mm

Technical data

Conductor diameter, max.	8
Conductor diameter, min.	8
Mounting height	50 mm
Fit	Rd 8 mm
Material of the holder	Rustproof steel (V2A)
Material of the support	Rustproof steel (V2A)