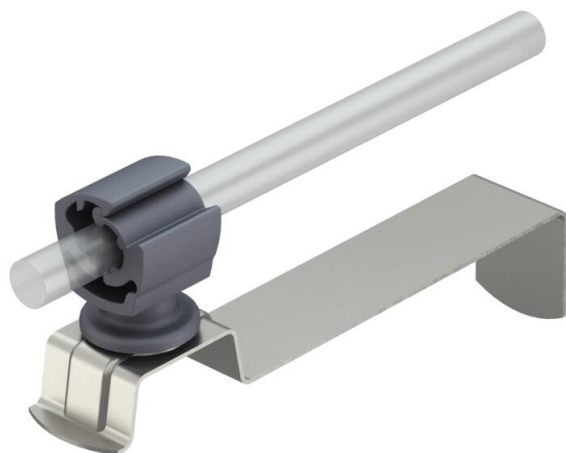


Technical data sheet

Roof conductor holder for tiled roofs, angled, Rd 8–10

Item number: 5215668



- Conductor holder of polyamide
- Curved bottom strip for quick installation

A2 Stainless steel

Master data

Item number	5215668
Type	157 IK-VA
Description 1	Roof conductor holder
Manufacturer	OBO
Dimension	8mm
Material	Stainless steel 1.4301
Smallest sales unit	20
Unit of quantity	Piece
Weight	7.15 kg
Weight unit	kg/100 pc.
CO2 Footprint (GWP) Cradle-to-Gate	0,2597 kg CO2e / 1 Piece

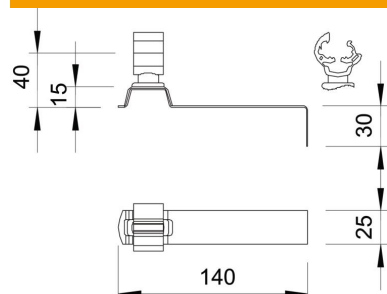
Technical data sheet

Roof conductor holder for tiled roofs, angled, Rd 8–10

Item number: 5215668



Dimensions



Length 140 mm

Technical data

Application	Roof surface
Conductor fastening type	With clamp clip
Conductor diameter, max.	10
Conductor diameter, min.	8
Mounting type	For suspension
Mounting height	40 mm
Fit	Rd 8-10 mm
Material of the holder	Plastic
Material of the support	Rustproof steel (V2A)