

Technical data sheet

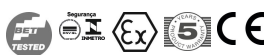
EX ISG H spark gap, jacketed

Item number: 5240032



- Spark gap to VDE 0185-561-3 (IEC 62561-3)
- Ex certificate to ATEX
- Labelling to EN 60079-0/-1: II 2 G Ex db IIC T6 Gb
- Labelling to EN 60079-0/-31: II 2 D Ex td IIIC T80 °C Db IP67
- Ex certificate to IECEX
- Labelling to EN 60079-0/-1: Ex db IIC T6 Gb
- Labelling to EN 60079-0/-31: Ex td IIIC T80 °C Db IP67
- Ex certificate to INMETRO
- Labelling to ABNT NBR IEC 60079-0/-1: Ex db IIC T6 Gb
- Labelling to ABNT NBR IEC 60079-31: Ex td IIIC T80 °C Db IP67
- Water-proof shrinkage
- NYY-0 1 x 25 mm² cable, mounted on both sides
- Particularly suitable for connections in the ground

Application: In potentially explosive areas zone 1/21 and 2/22, indirect bridging of insulating flanges and insulating glands, e.g. in cathodic, corrosion-protected (KKS) systems.



Hotmelt

Master data

Item number	5240032
Type	EX ISG H KU
Description 1	Spark gap, sheathed
Description 2	indirect equipotential bonding
Manufacturer	OBO
Dimension	2x2000mm
Colour	Black
Material	Hotmelt
Smallest sales unit	1
Unit of quantity	Piece
Weight	210.3 kg
Weight unit	kg/100 pc.
CO2 Footprint (GWP) Cradle-to-Gate	3,1196 kg CO2e / 1 Piece

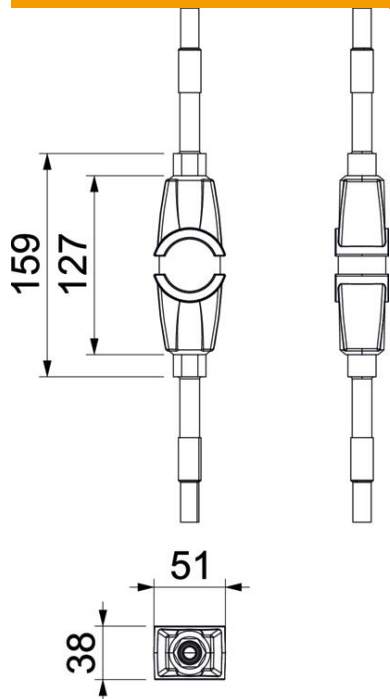
Technical data sheet

EX ISG H spark gap, jacketed

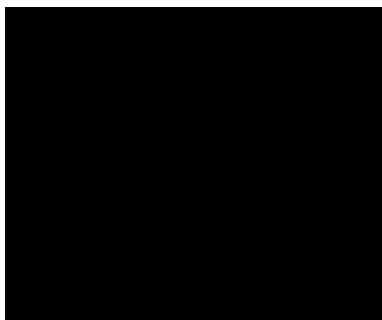
Item number: 5240032



Dimensions



Technical data



Connection	Metric
Connecting cable length	2 m
Power frequency spark-over voltage	0.56 kV
Rated impulse sparkover voltage	1.25 kV
Rated DC withstand voltage	354 V
Rated power frequency withstand voltage	250 V
Lightning current carrying capacity	H/100 kA
Explosion-tested version	yes
Lightning impulse current	100 kA
Nominal discharge surge current	100 kA
Protection rating	IP65/67
Permitted temperature range, max.	60 °C
Permitted temperature range, min.	-20 °C
Material of the connection	Die-cast zinc
Ignition protection type	Pressure-resistant encapsulation