

# Technical data sheet

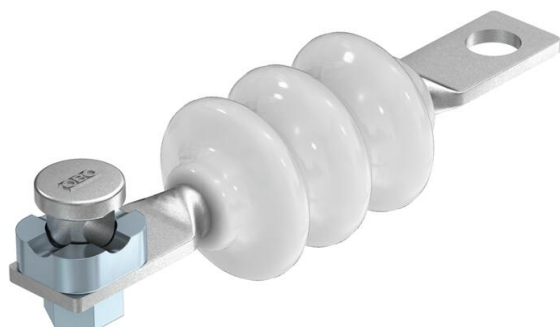
## Protective spark gap

Item number: 5240050



Closed spark gap for bridging a proximity point between roof standard of low-voltage system and components of outer lightning protection system.

- Protection rating IP 54
- With pre-mounted type 5001 connector for attaching round conductors Rd 8 - 10



SG cast steel

### Master data

Item number	5240050
Type	482
Description 1	Spark gap
Description 2	closed
Manufacturer	OBO
Dimension	134x93x86
Material	cast steel
Smallest sales unit	1
Unit of quantity	Piece
Weight	56 kg
Weight unit	kg/100 pc.
CO2 Footprint (GWP) Cradle-to-Gate	0,6407 kg CO2e / 1 Piece

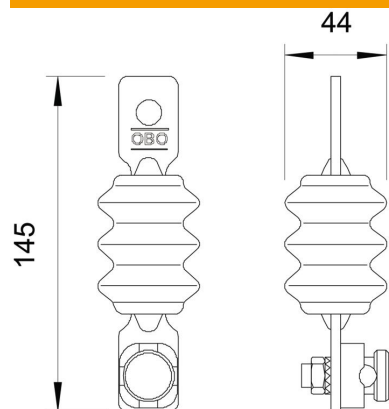
# Technical data sheet

## Protective spark gap

Item number: 5240050



### Dimensions



### Technical data



Connection	Rd 10 mm
Power frequency spark-over voltage	10 kV
Response time	<100 ns
Explosion-tested version	no
Nominal discharge surge current	25 kA
Protection rating	IP54
Protection level	< 10 kV
Permitted temperature range, max.	80 °C
Permitted temperature range, min.	-20 °C
Material of the connection	Die-cast zinc