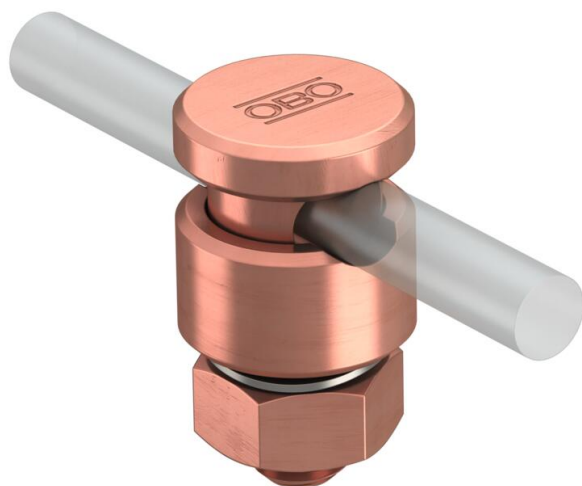


# Technical data sheet

Connector, Rd 8–10 mm with pressure trough Cu

Item number: 5304172



- With 1 fix contact clamping screw, nut and serrated washer
- Including pre-mounted pressure sump, steel
- Conforms to the requirements according to DIN VDE 0185-305 (IEC 62305)



**Cu** Copper

## Master data

Item number	5304172
Type	5001 N-CU
Description 1	Connection terminal
Description 2	for round conductors
Manufacturer	OBO
Dimension	8-10mm
Material	Copper
Smallest sales unit	10
Unit of quantity	Piece
Weight	6.75 kg
Weight unit	kg/100 pc.
CO2 Footprint (GWP) Cradle-to-Gate	0,1186 kg CO2e / 1 Piece

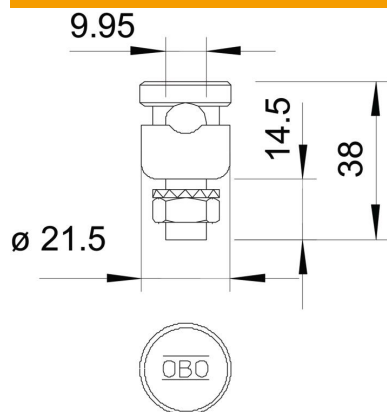
# Technical data sheet

Connector, Rd 8–10 mm with pressure trough Cu

Item number: 5304172



## Dimensions



## Technical data

Type of fastening screw	Clamping screw
Type of connector	Connectors
Lightning current carrying capacity	H/100 kA
Suitable for connection	Miscellaneous
Fit	Rd 8-10 mm
Intermediate plate	no