

Technical data sheet

Connector, Rd 8–10 mm with pressure trough

Item number: 5304176



- With 1 fix contact clamping screw, nut and serrated washer
- Including pre-mounted pressure sump, steel
- Conforms to the requirements according to DIN VDE 0185-305 (IEC 62305)



A2 Stainless steel

Master data

Item number	5304176
Type	5001 N-VA
Description 1	Connection terminal
Description 2	for round conductors
Manufacturer	OBO
Dimension	8-10mm
Material	Stainless steel 1.4301
Smallest sales unit	10
Unit of quantity	Piece
Weight	6.4 kg
Weight unit	kg/100 pc.
CO2 Footprint (GWP) Cradle-to-Gate	0,3383 kg CO2e / 1 Piece

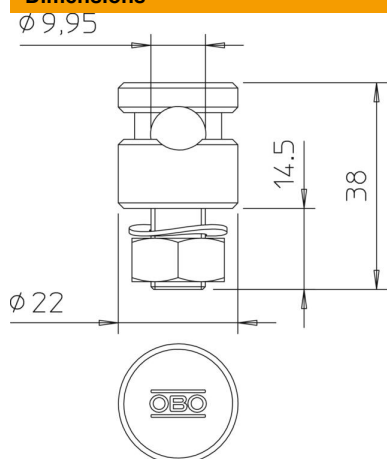
Technical data sheet

Connector, Rd 8–10 mm with pressure trough

Item number: 5304176



Dimensions



Technical data

Type of fastening screw	Clamping screw
Type of connector	Connectors
Lightning current carrying capacity	N/50 kA
Suitable for connection	Round conductor Rd 8–10 / Rd 8–10
Fit	Rd 8-10 mm
Intermediate plate	no