

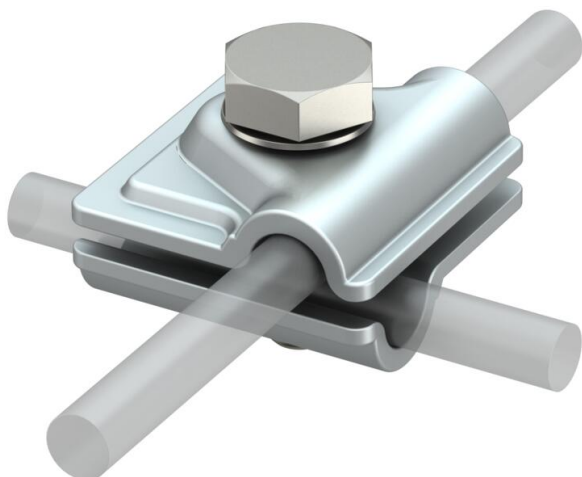
Technical data sheet

Vario quick connector ALU

Item number: 5311519



- For T, cross and parallel connectors
- Quick installation using hexagonal bolt M10 x 30, high-grade stainless steel
- Conforms to the requirements according to DIN VDE 0185-305 (IEC 62305)



Alu Aluminium

Master data

Item number	5311519
Type	249 8-10 ALU
Description 1	Quick connector
Description 2	vario
Manufacturer	OBO
Dimension	44x44mm
Material	Aluminium
Smallest sales unit	30
Unit of quantity	Piece
Weight	6.6 kg
Weight unit	kg/100 pc.
CO2 Footprint (GWP) Cradle-to-Gate	1,0187 kg CO2e / 1 Piece

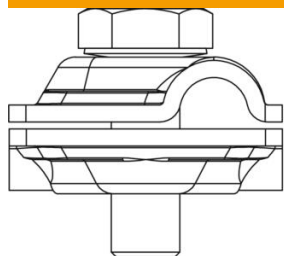
Technical data sheet

Vario quick connector ALU

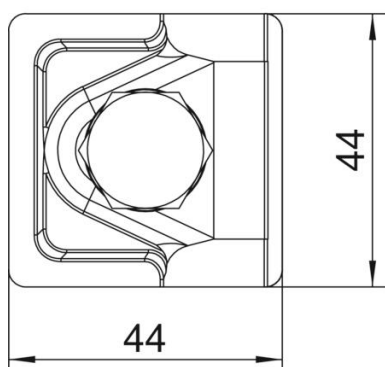
Item number: 5311519



Dimensions



Length	44 mm
Width	44 mm
Dimension A	44 mm



Technical data

Type of fastening screw	Hexagonal bolt
Type of connector	Multipurpose connection clamp
Lightning current carrying capacity	H/100 kA
Suitable for connection	Round conductor Rd 8–10 / Rd 8–10
Fit	Rd 8-10 mm
Round conductor diameter, conductor 1, max.	10 mm
Round conductor diameter, conductor 1, min.	8 mm
Round conductor diameter, conductor 2, max.	10 mm
Round conductor diameter, conductor 2, min.	8 mm
Intermediate plate	no