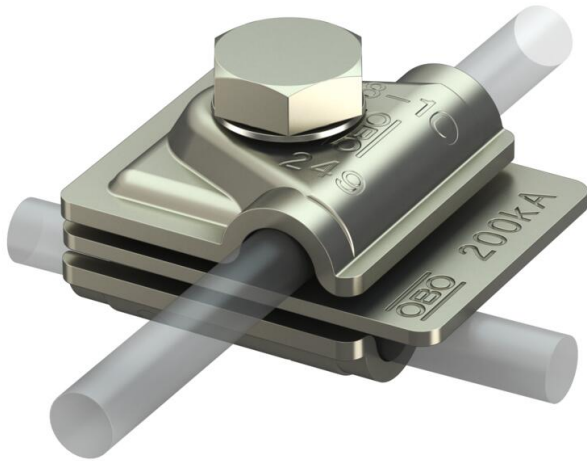


Technical data sheet

Vario quick connector 200 kA

Item number: 5311595



- For T, intersection and parallel connections
- Quick mounting using an M10 x 30 bolt, made from rustproof stainless steel
- Meets the requirements of VDE 0185-305 (IEC 62305)
- Tested according to VDE 0185-561-1 (IEC/EN 62561-1) with 200 kA
- For use in lightning protection class I with the isCon® Premium conductor



A2 Stainless steel

Master data

Item number	5311595
Type	249 8-10 V2A 200
Description 1	Quick connector 200kA
Description 2	vario
Manufacturer	OBO
Dimension	50x40mm
Material	Stainless steel 1.4301
Smallest sales unit	10
Unit of quantity	Piece
Weight	12.374 kg
Weight unit	kg/100 pc.
CO2 Footprint (GWP) Cradle-to-Gate	0,891 kg CO2e / 1 Piece

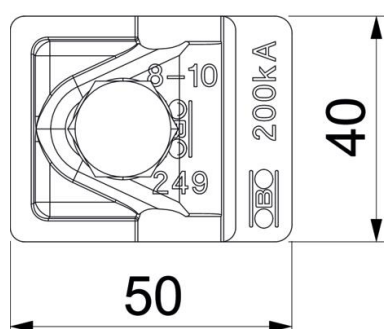
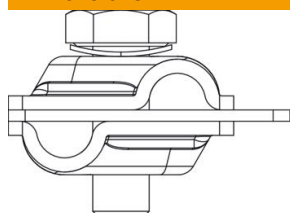
Technical data sheet

Vario quick connector 200 kA

Item number: 5311595



Dimensions



Technical data

Type of fastening screw	Hexagonal bolt
Type of connector	Multipurpose connection clamp
Lightning current carrying capacity	H2/200 kA
Suitable for connection	Round conductor Rd 8–10 / Rd 8–10
Fit	Rd 8-10 mm
Round conductor diameter, conductor 1, max.	10 mm
Round conductor diameter, conductor 1, min.	8 mm
Round conductor diameter, conductor 2, max.	10 mm
Round conductor diameter, conductor 2, min.	8 mm
Intermediate plate	no