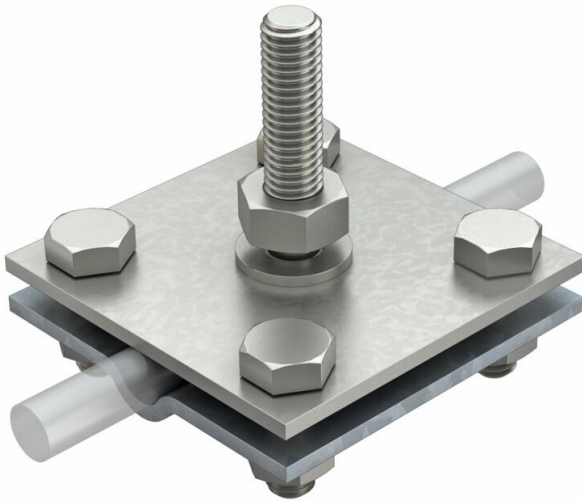


Technical data sheet

Cross-connector for flat conductors and round cables with threaded bolt M10x45

Item number: 5312657



- Meets the requirements of VDE 0185-305-3 (IEC/ EN 62305-3)
- Fit: Rd 8-10 x FL 30
- Mounted with 4 hexagonal bolts M8 x 25 and 4 hexagonal nuts M8



A2 Stainless steel

FT/VA Hot-dip galvanised/stainless steel, grade 1.4301

Master data

Item number	5312657
Type	252 GB 10x45
Description 1	Cross-connectors flat/round
Description 2	with threaded bolt M10x45
Manufacturer	OBO
Dimension	8-10mm
Material	Stainless steel 1.4301
Surface	Hot-dip galvanised/stainless steel, grade 1.4301
Surface standard	DIN EN ISO 1461
Smallest sales unit	10
Unit of quantity	Piece
Weight	34.8 kg
Weight unit	kg/100 pc.
CO2 Footprint (GWP) Cradle-to-Gate	0,8194 kg CO2e / 1 Piece

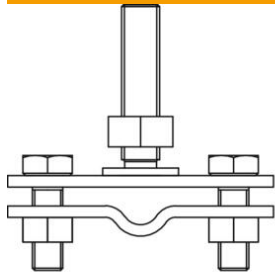
Technical data sheet

Cross-connector for flat conductors and round cables with threaded bolt M10x45

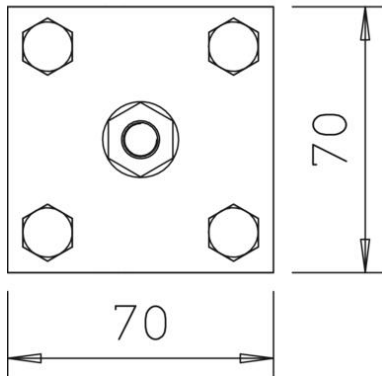
Item number: 5312657



Dimensions



Length	70 mm
Width	70 mm
Height	55 mm
Dimension A	70 mm
Dimension B	70 mm



Technical data

Type of fastening screw	Hexagonal bolt
Type of connector	Cross-connectors
Lightning current carrying capacity	H/100 kA
Suitable for connection	Round conductor Rd 8-10 / flat conductor FI 30
Short-circuit current (50 Hz)(1 s; $\leq 300^{\circ}\text{C}$)	4.2 kA
Fit	Rd 8-10/FL30 mm
Intermediate plate	no