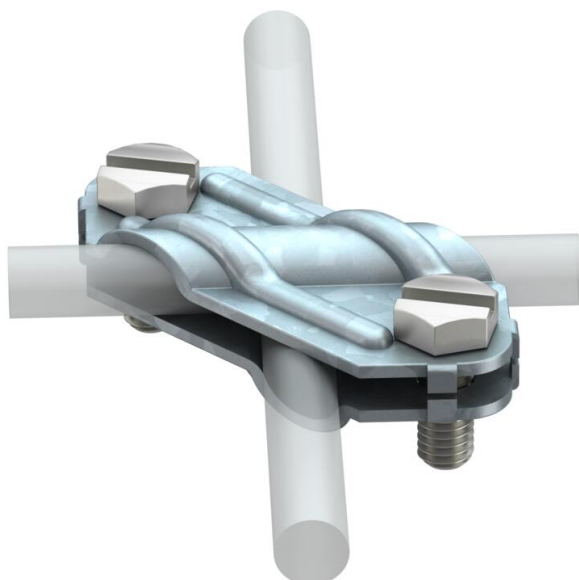


Technical data sheet

Cross-connector for flat conductors and round conductors FT

Item number: 5312906



- Meets the requirements of VDE 0185-305-3 (IEC/ EN 62305-3)
- Fit: Rd 8-10 x Rd 8-10
- Fit: Rd 8-10 x FL 30
- Fit: FL 30 x FL 30
- Mounted with 2 hexagonal bolts M8 x 20 (F)



St Steel

FT Hot-dip galvanised

Master data

Item number	5312906
Type	250
Description 1	Cross-connectors
Manufacturer	OBO
Dimension	8-10mm
Material	Steel
Surface	Hot-dip galvanised
Surface standard	DIN EN ISO 1461
Smallest sales unit	25
Unit of quantity	Piece
Weight	8.2 kg
Weight unit	kg/100 pc.
CO2 Footprint (GWP) Cradle-to-Gate	0,2821 kg CO2e / 1 Piece

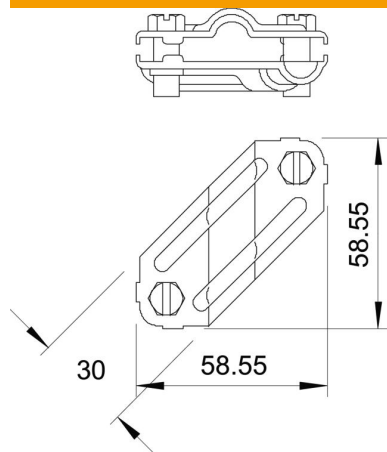
Technical data sheet

Cross-connector for flat conductors and round conductors FT

Item number: 5312906



Dimensions



Technical data

Type of fastening screw	Hexagonal bolt
Type of connector	Cross-connectors
Lightning current carrying capacity	N/50 kA
Suitable for connection	Round conductor Rd 8-10 / flat conductor FI 30
Short-circuit current (50 HZ)(1 s; $\leq 300^{\circ}\text{C}$)	5.6 kA
Fit	Rd 8-10/FL30 mm
Intermediate plate	no