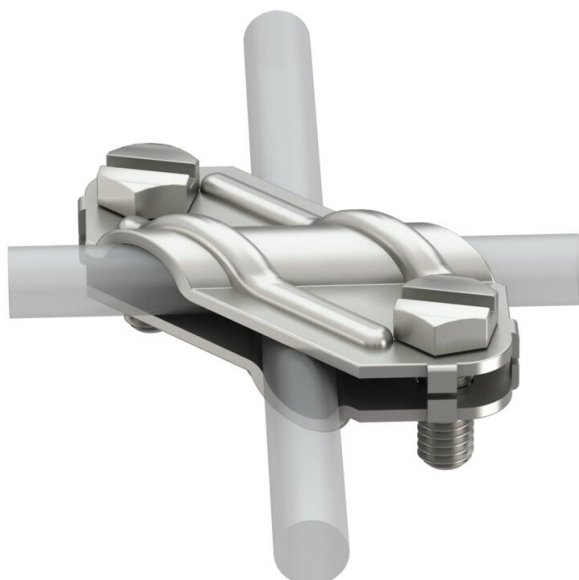


Technical data sheet

Cross-connector for flat conductors and round conductors stainless steel

Item number: 5312922



- Meets the requirements of VDE 0185-305-3 (IEC/ EN 62305-3)
- Fit: Rd 8-10 x Rd 8-10
- Fit: Rd 8-10 x FL 30
- Fit: FL 30 x FL 30
- Mounted with 2 hexagonal bolts M8 x 20 (F)



A2 Stainless steel

Master data

Item number	5312922
Type	250 VA
Description 1	Cross-connectors
Manufacturer	OBO
Dimension	8-10mm
Material	Stainless steel 1.4301
Smallest sales unit	25
Unit of quantity	Piece
Weight	10.26 kg
Weight unit	kg/100 pc.
CO2 Footprint (GWP) Cradle-to-Gate	0,4902 kg CO2e / 1 Piece

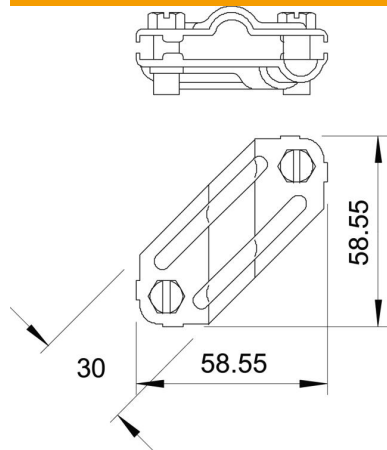
Technical data sheet

Cross-connector for flat conductors and round conductors
stainless steel

Item number: 5312922



Dimensions



Technical data

Type of fastening screw	Hexagonal bolt
Type of connector	Cross-connectors
Lightning current carrying capacity	H/100 kA
Suitable for connection	Round conductor Rd 8-10 / flat conductor FI 30
Short-circuit current (50 HZ)(1 s; $\leq 300^{\circ}\text{C}$)	1.4 kA
Fit	Rd 8-10/FL30 mm
Intermediate plate	no