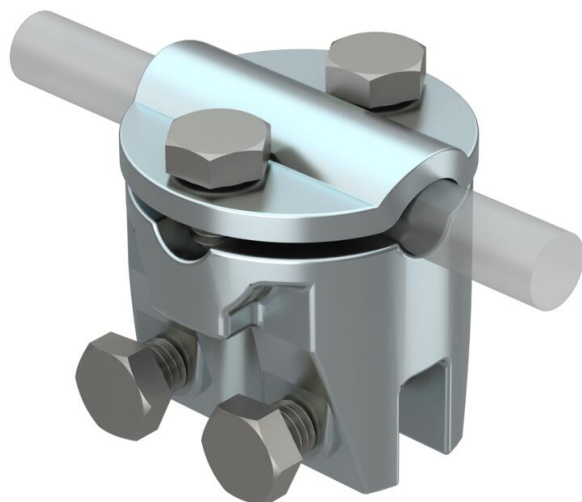


Technical data sheet

Folding clamp up to 7 mm plate thickness

Item number: 5317010



- Plate thickness to 7 mm
- For cable routing across and parallel to the plate with 4 hexagonal bolts M6 x 16
- Meets the requirements of VDE 0185-305 (IEC 62305)



Zn Die-cast zinc

G Electrogalvanized

Master data

Item number	5317010
Type	269 8-10
Description 1	Folding clamp
Manufacturer	OBO
Dimension	8/10mm
Material	Die-cast zinc
Surface	Electrogalvanized
Surface standard	EN ISO 19598 / EN ISO 4042
Smallest sales unit	20
Unit of quantity	Piece
Weight	14.46 kg
Weight unit	kg/100 pc.
CO2 Footprint (GWP) Cradle-to-Gate	0,6686 kg CO2e / 1 Piece

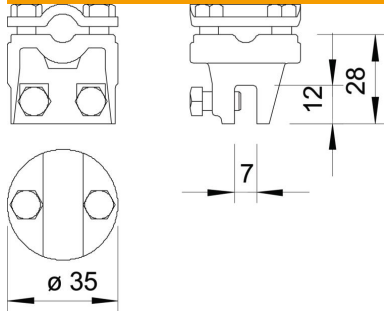
Technical data sheet

Folding clamp up to 7 mm plate thickness

Item number: 5317010



Dimensions



Technical data

Type of fastening screw	Hexagonal bolt
Type of connector	Folding clamp
Lightning current carrying capacity	N/50 kA
Fit	Rd 8-10 mm
Clamping range, max.	7 mm