

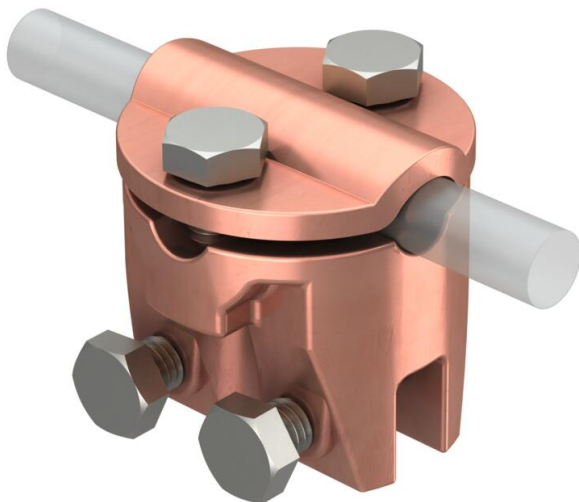
Technical data sheet

Folding clamp up to 7 mm plate thickness Cu

Item number: 5317053



- Plate thickness to 7 mm
- For cable routing across and parallel to the plate with 4 hexagonal bolts M6 x 16
- Meets the requirements of VDE 0185-305 (IEC 62305)



- Zn** Die-cast zinc
- Cu** Copper-plated

Master data

Item number	5317053
Type	269 MS
Description 1	Folding clamp
Manufacturer	OBO
Dimension	8/10mm
Material	Die-cast zinc
Surface	Copper-plated
Surface standard	
Smallest sales unit	10
Unit of quantity	Piece
Weight	14.48 kg
Weight unit	kg/100 pc.
CO2 Footprint (GWP) Cradle-to-Gate	0,2426 kg CO2e / 1 Piece

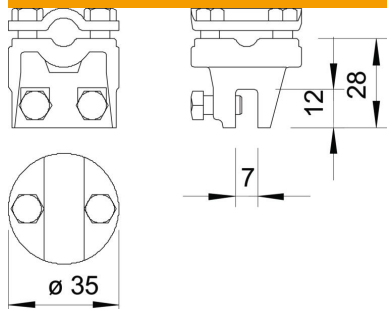
Technical data sheet

Folding clamp up to 7 mm plate thickness Cu

Item number: 5317053



Dimensions



Technical data

Type of fastening screw	Hexagonal bolt
Type of connector	Folding clamp
Lightning current carrying capacity	H/100 kA
Fit	Rd 8-10 mm
Clamping range, max.	7 mm