

Technical data sheet

Folding and construction clamp

Item number: 5317502



- For round standing seam systems, fixed cable routing
- Manufacturer release by Kalzip
- Tested according to VDE 0185-561-1 (IEC/EN 62561-1)



A2 Stainless steel

Master data

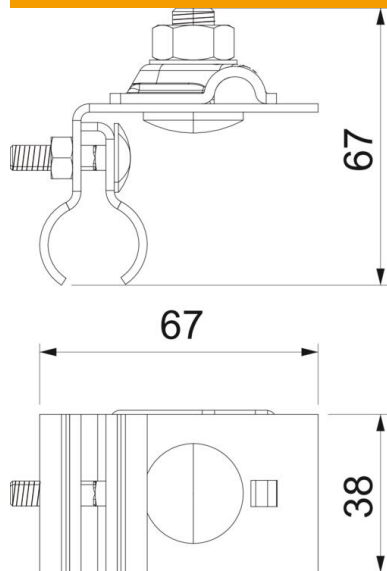
Item number	5317502
Type	RSF 249 8-10 VA
Description 1	Folding clamp
Description 2	for round standing seam
Manufacturer	OBO
Dimension	8-10mm
Material	Stainless steel 1.4301
Smallest sales unit	50
Unit of quantity	Piece
Weight	14.2 kg
Weight unit	kg/100 pc.
CO2 Footprint (GWP) Cradle-to-Gate	1,3894 kg CO2e / 1 Piece

Technical data sheet

Folding and construction clamp

Item number: 5317502

Dimensions



Technical data

Type of fastening screw	Hexagonal bolt
Type of connector	Folding clamp
Lightning current carrying capacity	N/50 kA
Fit	Rd 8-10 mm
Clamping range, max.	10 mm