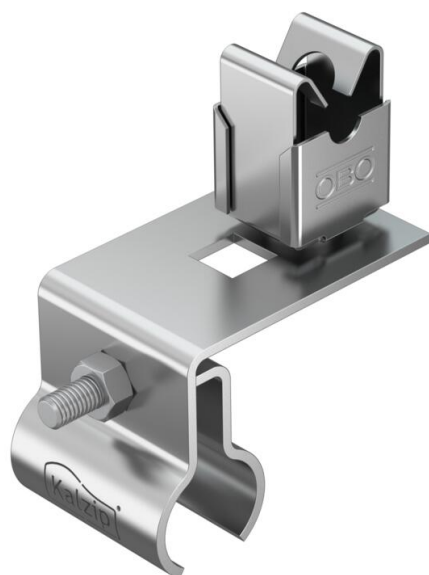


# Technical data sheet

## Folding and construction clamp

Item number: 5317512



- For round standing seam systems, loose cable routing
- Manufacturer release by Kalzip
- Tested according to VDE 0185-561-4 (IEC/EN 62561-4)



**A2** Stainless steel

### Master data

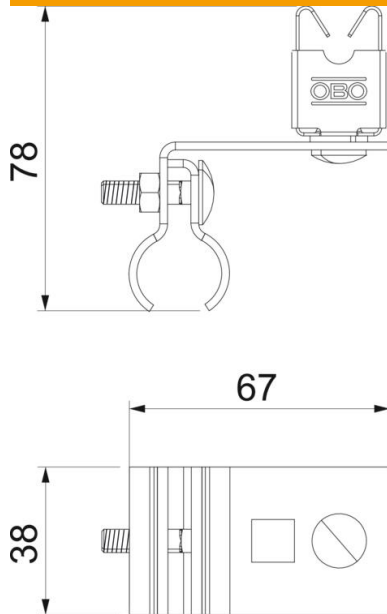
Item number	5317512
Type	RSF 177 20 VA M8
Description 1	Folding clamp
Description 2	for round standing seam
Manufacturer	OBO
Dimension	8mm
Material	Stainless steel 1.4301
Smallest sales unit	50
Unit of quantity	Piece
Weight	13.4 kg
Weight unit	kg/100 pc.
CO2 Footprint (GWP) Cradle-to-Gate	1,0842 kg CO2e / 1 Piece

# Technical data sheet

## Folding and construction clamp

Item number: 5317512

### Dimensions



### Technical data

Type of fastening screw	Hexagonal bolt
Type of connector	Folding clamp
Fit	8 mm
Clamping range, min.	8 mm